

## Separated Converter Type LED Lighting Fixtures

# EXCR SERIES

Type of Explosion-Proof  
Flameproof (Ex d IIC T5..T6 IP66)  
Dust-ignition proof (Ex tD A21 IP66 T100..T85°C)



## Standard Materials

- Enclosure : Die casting aluminium alloy
- Mounting Box : Die casting aluminium alloy
- SMPS Box : Die casting aluminium alloy
- Glass : Tempered glass

## Standard Finish

- MUNSELL No. EX8816 (NEW SILVER)
- If you want another color, contact us please.

## Compliance & Certification

- IEC 60079-0,15
- Notification of Ministry of Labor No. 2010-36
- Certified by KOSHA  
(Korea Occupational Safety and Health Agency)

## LED Benefits

### Enhance safety and productivity

- Instant illumination and re-strike
- Better visibility with crisp, white light
- T6 temperature rating – safely operate in the most hazardous environments
- Cold temperature operation / no warm-up required

### Reduce operation and maintenance costs

- Easy installation – compact modular fixture attaches onto existing Champ mounting module
- Energy-efficient – up to 85% reduction in energy used
- Provides up to 50,000 hours rated life – eliminates need for frequent lamp replacement
- Contains no mercury or other hazardous substances

## Application

### EXCR Series lighting fixture are used

- Areas requiring frequent on-and-off of lights
- Two lumen outputs for replacement of existing HID and incandescent luminaires
- Where flammable vapors, gases, ignitable dusts, fibers or flyings are present, indoors or outdoors
- Where extremely corrosive, wet, dusty, hot and/or cold conditions exist
- Manufacturing plants, heavy industrial, chemical, petrochemical or pharmaceutical facilities, letforms, loading docks, tunnels, outdoor wall and stanchion mounted general area lighting

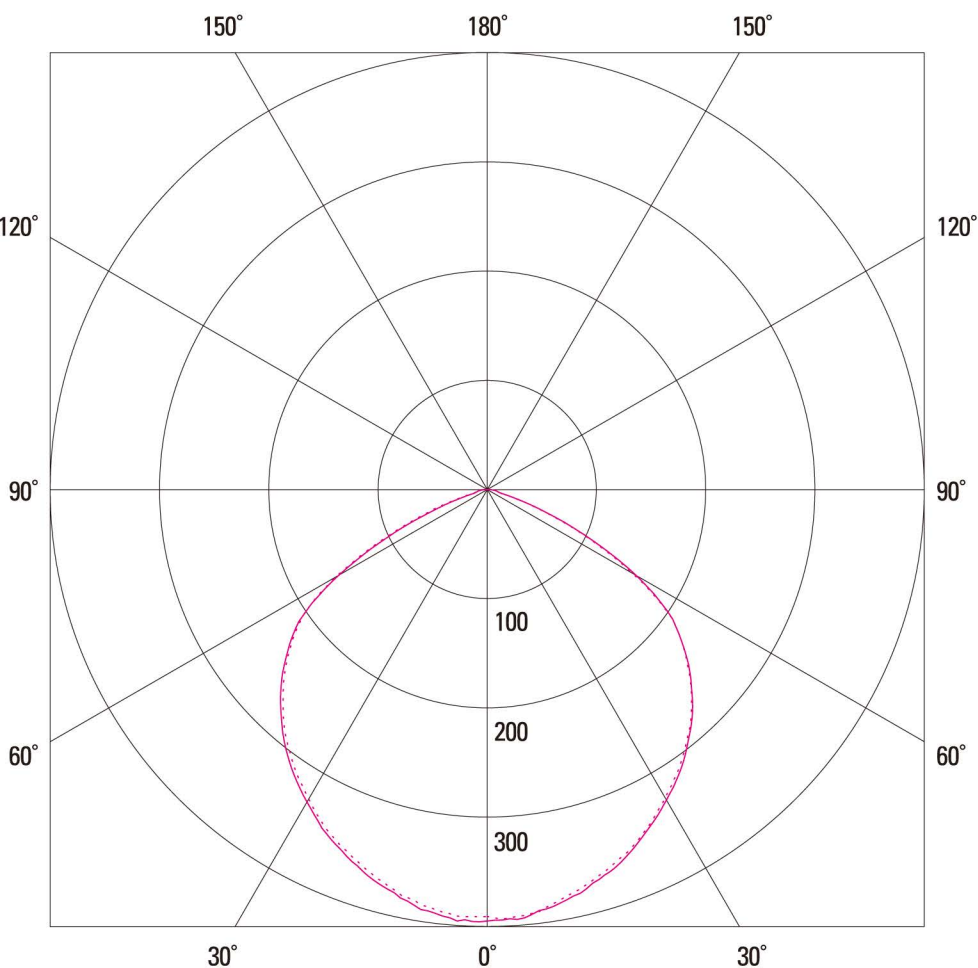
### Technical Data

|                 | Electrical Ratings |
|-----------------|--------------------|
| Rated Voltage   | AC 110V/220V       |
| Rated Wattage   | 15W~60W            |
| Rated Frequency | 50Hz/60Hz          |
| Entry Size      | PF 3/4"            |

### Ordering Number

| LAMP | Watt | Ceiling       | Pendant       | 40° Bracket   | 90° Bracket   |
|------|------|---------------|---------------|---------------|---------------|
|      | 15   | SEBP-EXCR-151 | SEBP-EXCR-152 | SEBP-EXCR-153 | SEBP-EXCR-154 |
|      | 30   | SEBP-EXCR-301 | SEBP-EXCR-302 | SEBP-EXCR-303 | SEBP-EXCR-304 |
| LED  | 40   | SEBP-EXCR-401 | SEBP-EXCR-402 | SEBP-EXCR-403 | SEBP-EXCR-404 |
|      | 50   | SEBP-EXCR-501 | SEBP-EXCR-502 | SEBP-EXCR-503 | SEBP-EXCR-504 |
|      | 60   | SEBP-EXCR-601 | SEBP-EXCR-602 | SEBP-EXCR-603 | SEBP-EXCR-604 |

### Photometric Data



|     | C0  | C90 | C180 |
|-----|-----|-----|------|
| 0°  | 395 | 391 | 395  |
| 5°  | 394 | 392 | 394  |
| 10° | 385 | 382 | 386  |
| 15° | 373 | 371 | 375  |
| 20° | 362 | 358 | 362  |
| 25° | 345 | 344 | 348  |
| 30° | 328 | 326 | 330  |
| 35° | 310 | 308 | 312  |
| 40° | 289 | 288 | 291  |
| 45° | 265 | 264 | 268  |
| 50° | 238 | 238 | 241  |
| 55° | 207 | 207 | 210  |
| 60° | 158 | 154 | 157  |
| 65° | 98  | 96  | 95   |
| 70° | 47  | 45  | 43   |
| 75° | 13  | 12  | 12   |
| 80° | 9   | 9   | 9    |
| 85° | 5   | 5   | 5    |
| 90° | 2   | 2   | 1    |

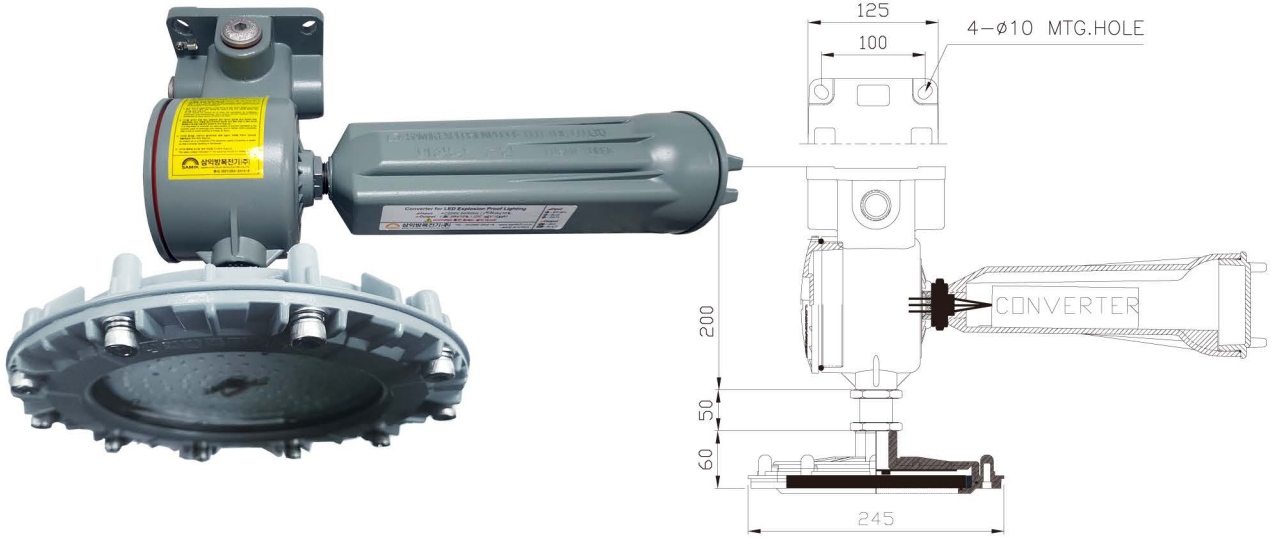
cd / 1000 lm

— C0 / C180

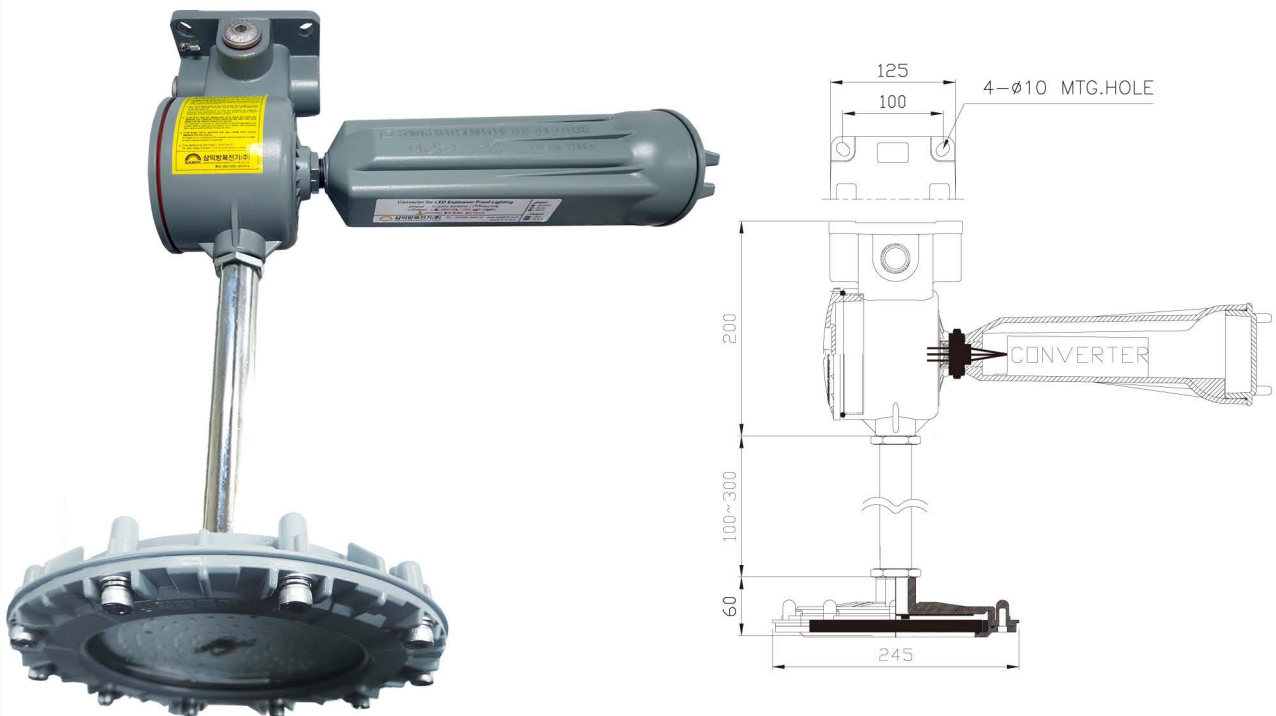
cd / 1000 lm

- - - C90 / C270

## Dimension

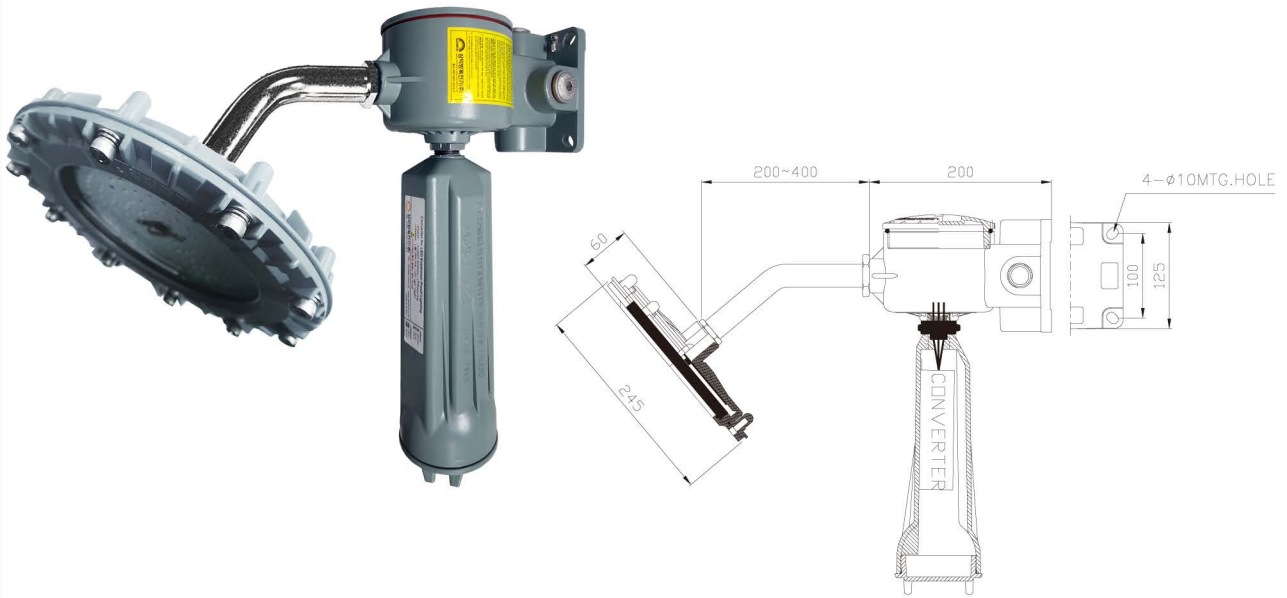


Ceiling Type

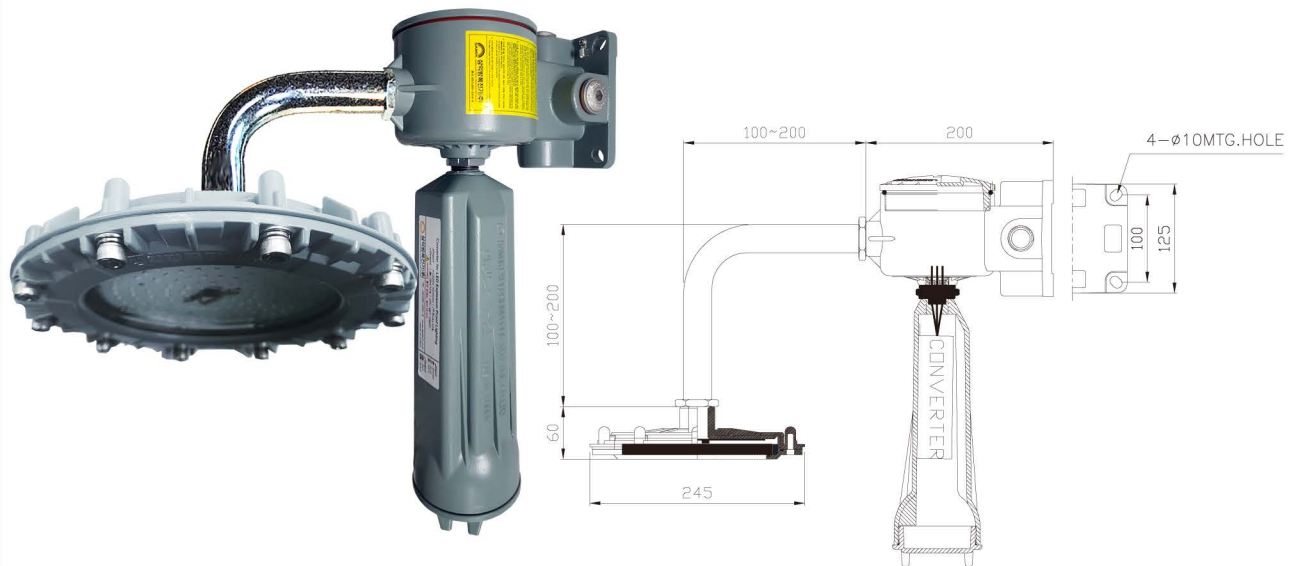


Pendant Type

## Dimension



40° Bracket Type



90° Bracket Type