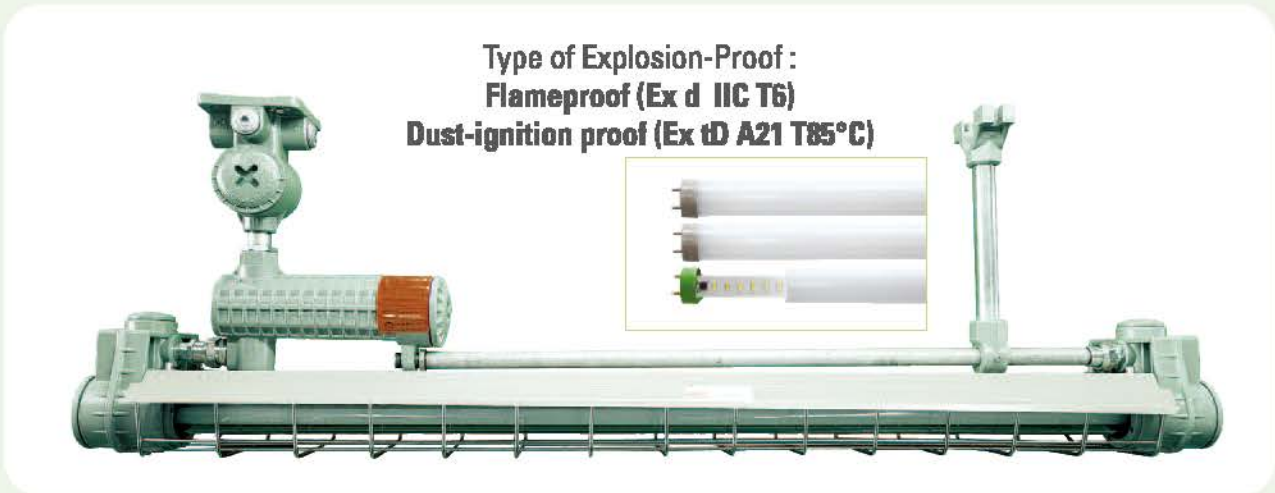


LED Fluorescent Lighting Fixtures

2DLF SERIES (Ex d IIC T6)
DLF2 SERIES (Ex tD A21 T85°C)



LED Benefits

- Provide superior safety and comfortable environment.
- Comfortable lighting that minimizes the fatigue of the eyes by eliminating the flickering phenomenon of existing fluorescent lamp.
- Saves energy by 30% or more compared to existing fluorescent lamp.
- Saves maintenance costs : long life with low energy consumption and high efficiency.
- Non-toxic eco-friendly lighting with 3-FREEs (Solder-free, mercury-free, existing HID and incandescent luminaires cadmium-free)

Standard Materials

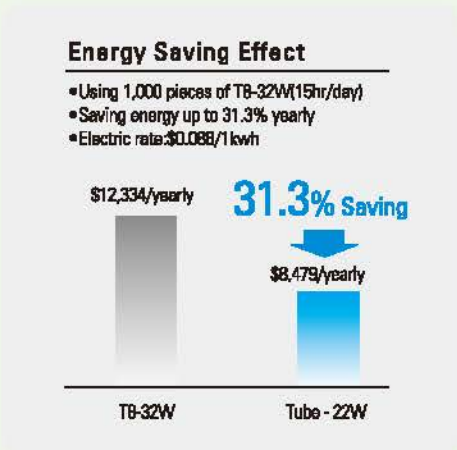
- Enclosure : Sheet steel
- Mounting Box : Die casting aluminium alloy
- Globe : Heat resistant hard glass
- Ballast Box : Die casting aluminium alloy
- Guard : Steel

Standard Finish

- MUNSELL No. 7.5BG 6/1.5
- If you want another color, contact us please.

Application

- DLF2 Series lighting fixture are used**
- Areas requiring frequent on-and-off of lights
 - Two lumen outputs for replacement of existing HID and incandescent luminaires
 - Where flammable vapors, gases, ignitable dusts, fibers or flyings are present, indoors or outdoors
 - Where extremely corrosive, wet, dusty, hot and/or cold conditions exist
 - Manufacturing plants, heavy industrial, chemical, petrochemical or pharmaceutical facilities, latforms, loading docks, tunnels, outdoor wall and stanchion mounted general area lighting



Compliance & Certification

- IEC 60079-0,1
- Notification of Ministry of Labor No. 2010-36
- Certified by KGS (Korea Gas Safety Corporation)

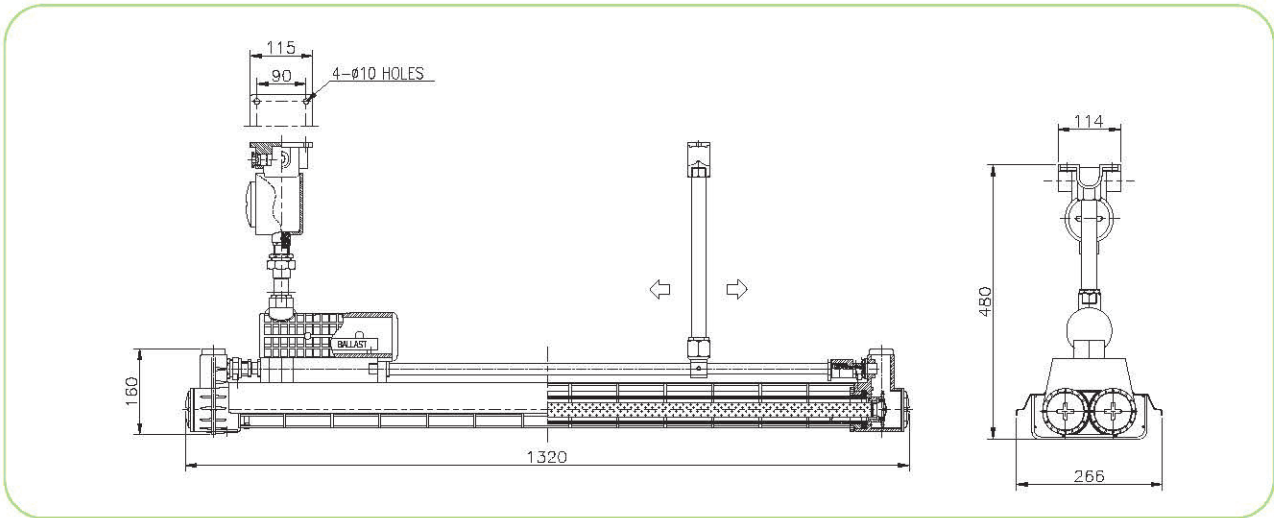
Technical Data

Electrical Ratings	
Rated Voltage	AC 110V/220V
Rated Wattage	Max. 25W X 2
Rated Frequency	50Hz/60Hz
Entry Size	PF 3/4"

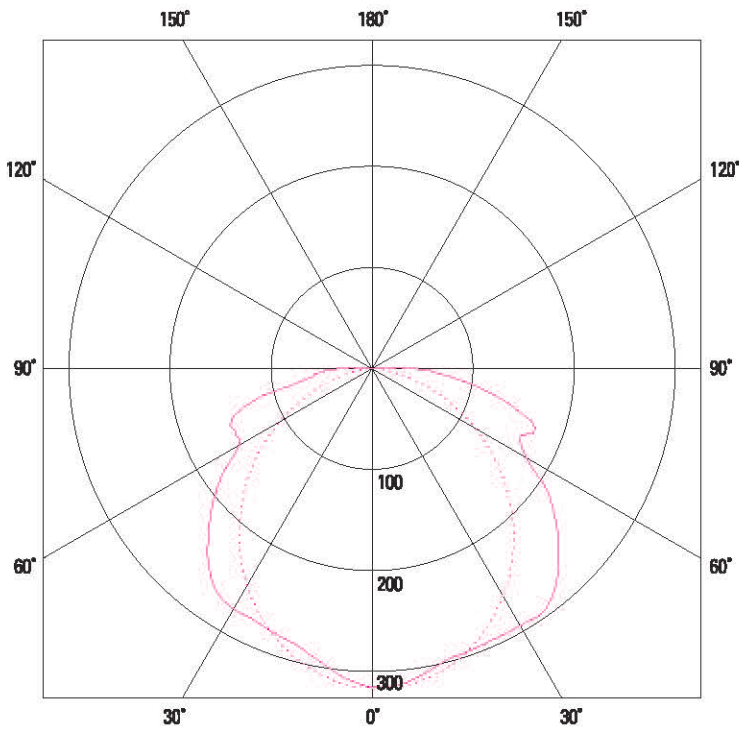
Ordering Number

LAMP	Watt	Ceiling No.
LED TUBE	21W X 2	SEBP-DLF2-212
LAMP	Watt	Ceiling No.
LED TUBE	21W X 2	SEBP-2DLF-212

Dimension



Photometric Data



	C0	C90	C180
0°	316	316	316
5°	314	316	307
10°	305	311	294
15°	297	303	284
20°	295	291	279
25°	293	276	275
30°	293	259	274
35°	295	239	269
40°	282	217	252
45°	261	194	229
50°	238	170	205
55°	212	144	180
60°	177	118	152
65°	161	92	150
70°	172	67	148
75°	144	43	120
80°	107	23	70
85°	71	11	54
90°	44	1	34

cd / 1000 lm

— C0 / C180 cd / 1000 lm - - - C90 / C270