

Integral Converter Type LED Lighting Fixtures

CILE SERIES

Type of Explosion-Proof
Flameproof (Ex d IIC T6 IP66)
Dust-ignition proof (Ex tD A21 IP66 T85°C)



LED Benefits

Enhance safety and productivity

- Instant illumination and re-strike
- Better visibility with crisp, white light
- T6 temperature rating – safely operate in the most hazardous environments
- Cold temperature operation / no warm-up required

Reduce operation and maintenance costs

- Easy installation – compact modular fixture attaches onto existing Champ mounting module
- Energy-efficient – up to 85% reduction in energy used
- Provides up to 50,000 hours rated life – eliminates need for frequent lamp replacement
- Contains no mercury or other hazardous substances

Standard Materials

- Enclosure : Die casting aluminium alloy
- Mounting Box : Die casting aluminium alloy
- SMPS Box : Die casting aluminium alloy
- Glass : Tempered glass

Standard Finish

- MUNSELL No. 7.5BG 6/1.5
- If you want another color, contact us please.

Compliance & Certification

- IEC 60079-0,1
- Notification of Ministry of Labor No. 2010-36
- Certified by KGS (Korea Gas Safety Corporation)

Application

CILE Series lighting fixture are used

- Areas requiring frequent on-and-off of lights
- Two lumen outputs for replacement of existing HID and incandescent luminaires
- Where flammable vapors, gases, ignitable dusts, fibers or flyings are present; indoors or outdoors
- Where extremely corrosive, wet, dusty, hot and/or cold conditions exist
- Manufacturing plants; heavy industrial, chemical, petrochemical or pharmaceutical facilities; latforms; loading docks; tunnels; outdoor wall and stanchion mounted general area lighting

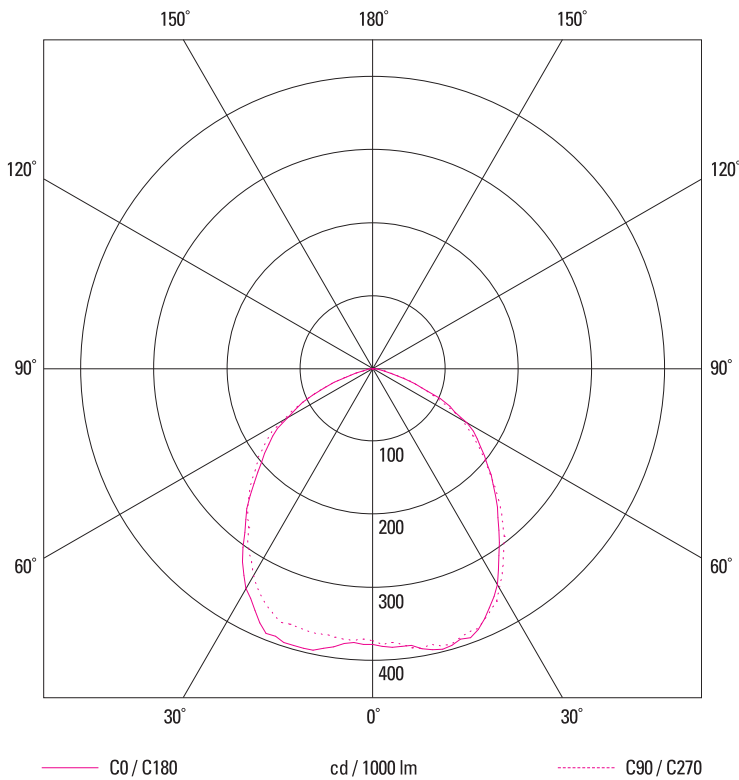
Technical Data

Electrical Ratings	
Rated Voltage	AC110V/220V
Rated Wattage	40W~120W
Rated Frequency	50Hz/60Hz
Entry Size	PF 3/4"

Ordering Number

LAMP	Watt	Ceiling	Pendant	40° Bracket	90° Bracket
LED	40	SEBP-CILE-S-401	SEBP-CILE-S-402	SEBP-CILE-S-403	SEBP-CILE-S-404
	50	SEBP-CILE-S-501	SEBP-CILE-S-502	SEBP-CILE-S-503	SEBP-CILE-S-504
	60	SEBP-CILE-S-601	SEBP-CILE-S-602	SEBP-CILE-S-603	SEBP-CILE-S-604
	70	SEBP-CILE-S-701	SEBP-CILE-S-702	SEBP-CILE-S-703	SEBP-CILE-S-704
	80	SEBP-CILE-M-801	SEBP-CILE-M-802	SEBP-CILE-M-803	SEBP-CILE-M-804
	90	SEBP-CILE-M-901	SEBP-CILE-M-902	SEBP-CILE-M-903	SEBP-CILE-M-904
	100	SEBP-CILE-M-1001	SEBP-CILE-M-1002	SEBP-CILE-M-1003	SEBP-CILE-M-1004
	110	SEBP-CILE-M-1101	SEBP-CILE-M-1102	SEBP-CILE-M-1103	SEBP-CILE-M-1104
	120	SEBP-CILE-M-1201	SEBP-CILE-M-1202	SEBP-CILE-M-1203	SEBP-CILE-M-1204

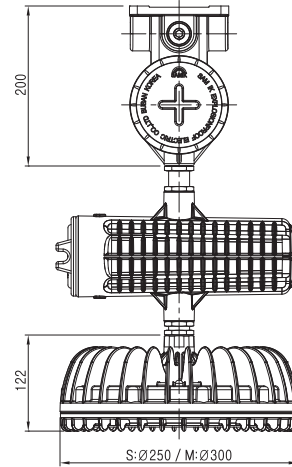
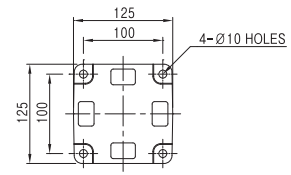
Photometric Data



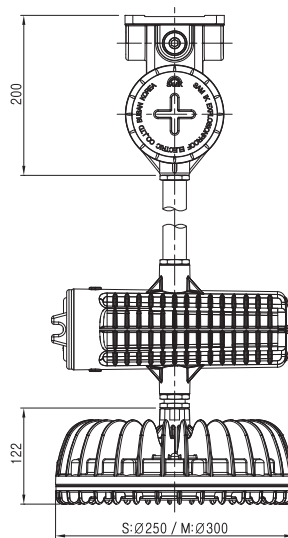
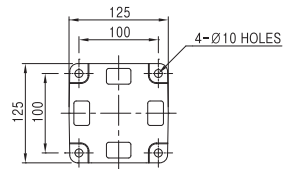
	C0	C90	C180
0°	378	373	378
5°	383	377	377
10°	390	389	389
15°	396	393	394
20°	393	384	390
25°	370	372	375
30°	341	347	348
35°	302	312	311
40°	267	277	270
45°	235	240	234
50°	205	203	199
55°	178	172	171
60°	149	143	135
65°	111	99	100
70°	61	61	56
75°	22	26	20
80°	5	9	5
85°	2	2	1
90°	1	1	0

cd / 1000 lm

Dimension

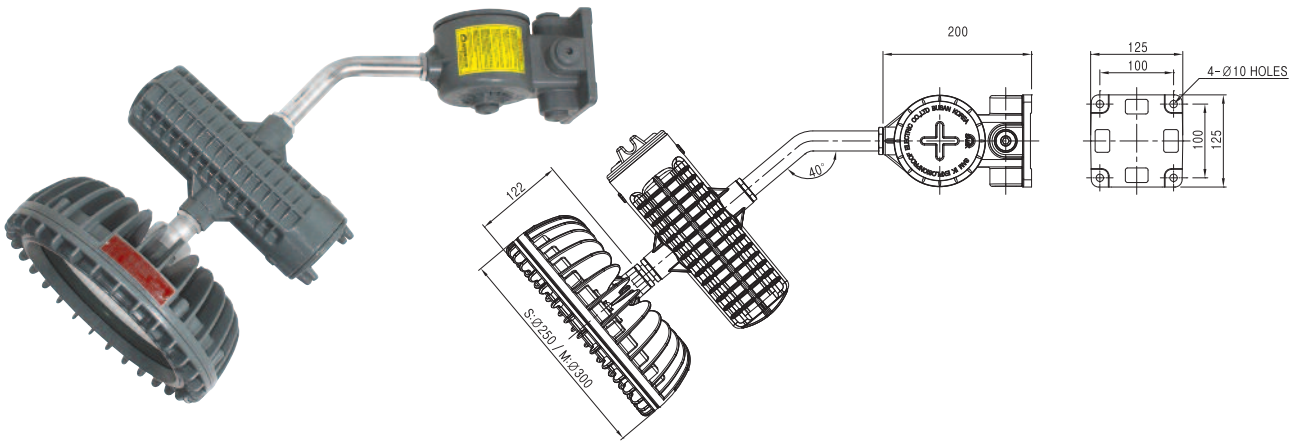


Ceiling Type

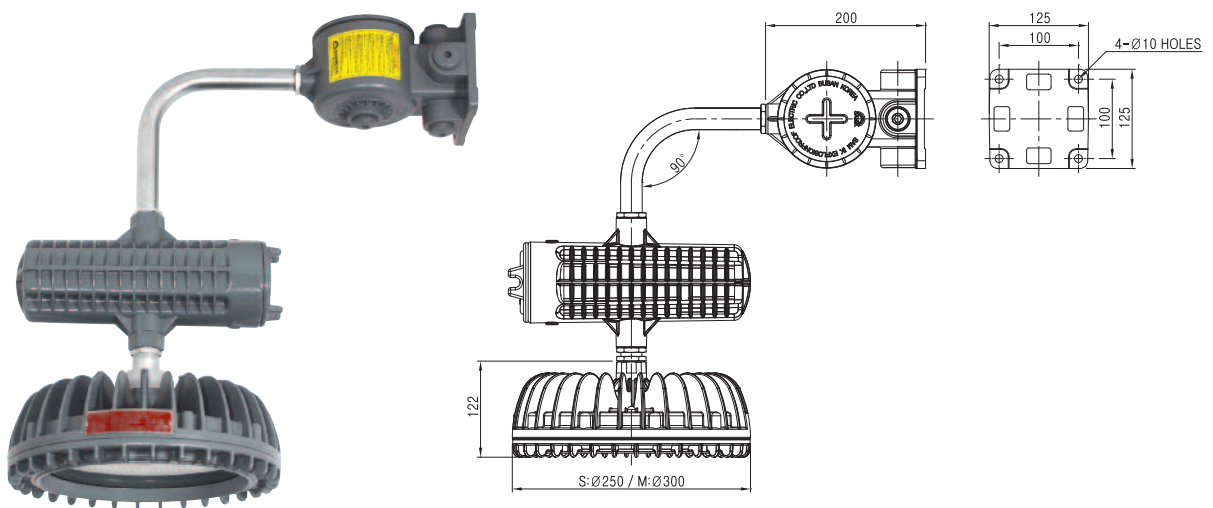


Pendant Type

Dimension



40° Bracket Type



90° Bracket Type