

WPL-B SERIES



LED Benefits

Enhance safety and productivity

- Instant illumination and re-strike
- Better visibility with crisp, white light
- Cold temperature operation / no warm-up required

Reduce operation and maintenance costs

- Energy-efficient – up to 85% reduction in energy used
- Provides up to 50,000 hours rated life – eliminates need for frequent lamp replacement
- Contains no mercury or other hazardous substances

Standard Materials

- Enclosure : Die casting aluminium alloy
- Mounting Box : Die casting aluminium alloy
- Glass : Polycarbonate

Standard Finish

- MUNSELL No. 7.5BG 6/1.5
- If you want another color, contact us please.

Compliance & Certification

Application

WPL Series lighting fixture are used

- Areas requiring frequent on-and-off of lights
- Two lumen outputs for replacement of existing HID and incandescent luminaires

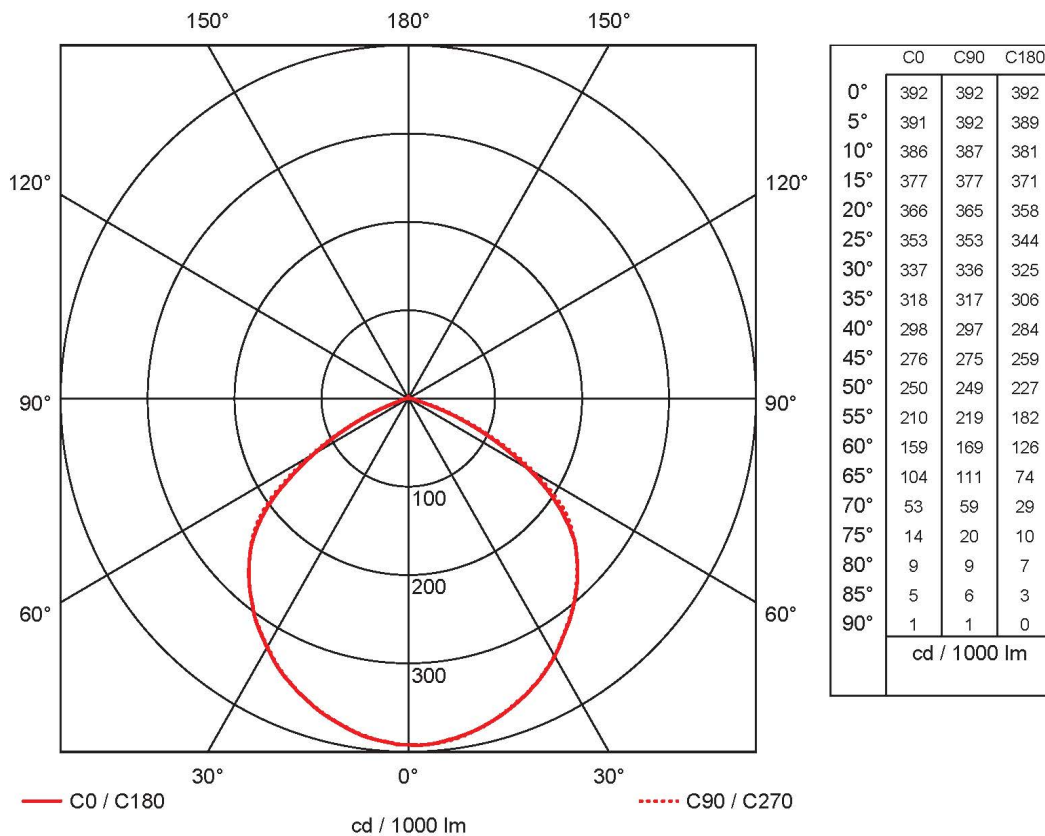
Technical Data

Electrical Ratings	
Rated Voltage	AC 100V~220V
Rated Wattage	60W~ 100W
Rated Frequency	50/60 Hz
Entry Size	PF 3/4"

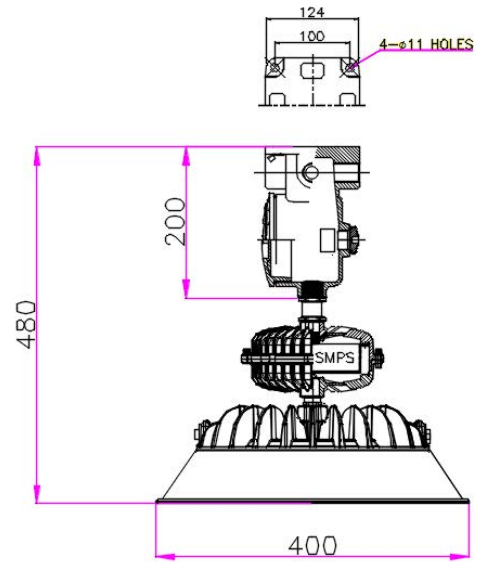
Ordering Number

LAMP	WATT	Ceiling	Pendant	40° Bracket	90° Bracket
LED	60	SEBP-WPL-B-601	SEBP-WPL-B-602	SEBP-WPL-B-603	SEBP-WPL-B-604
	70	SEBP-WPL-B-701	SEBP-WPL-B-702	SEBP-WPL-B-703	SEBP-WPL-B-704
	80	SEBP-WPL-B-801	SEBP-WPL-B-802	SEBP-WPL-B-803	SEBP-WPL-B-804
	90	SEBP-WPL-B-901	SEBP-WPL-B-902	SEBP-WPL-B-903	SEBP-WPL-B-904
	100	SEBP-WPL-B-1001	SEBP-WPL-B-1002	SEBP-WPL-B-1003	SEBP-WPL-B-1004
	120				
	150				
	200				

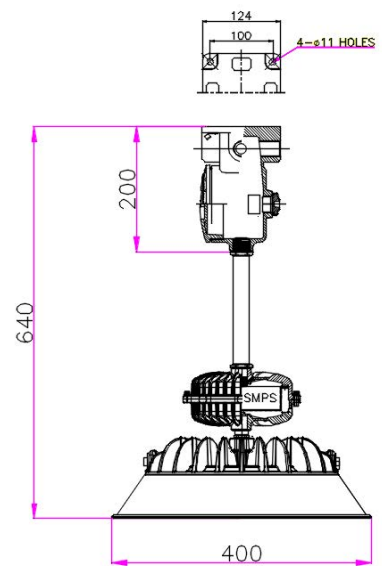
Photometric Data



Dimension

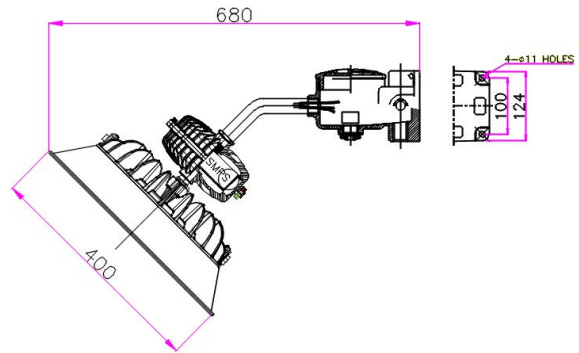


Ceiling Type

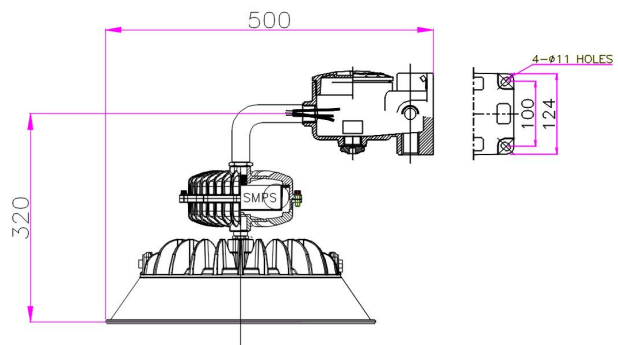


Pendant Type

Dimension



40° Bracket Type



90° Bracket Type