

WPL-A SERIES



LED Benefits

Enhance safety and productivity

- Instant illumination and re-strike
- Better visibility with crisp, white light
- Cold temperature operation / no warm-up required

Reduce operation and maintenance costs

- Easy installation – compact modular fixture attaches onto existing Champ mounting module
- Energy-efficient – up to 85% reduction in energy used
- Provides up to 50,000 hours rated life – eliminates need for frequent lamp replacement
- Contains no mercury or other hazardous substances

Standard Materials

- Enclosure : Die casting aluminium alloy
- Mounting Box : Die casting aluminium alloy
- Glass : Polycarbonate

Standard Finish

- MUNSELL No. 7.5BG 6/1.5
- If you want another color, contact us please.

Compliance & Certification

Application

WPL Series lighting fixture are used

- Areas requiring frequent on-and-off of lights
- Two lumen outputs for replacement of existing HID and incandescent luminaires

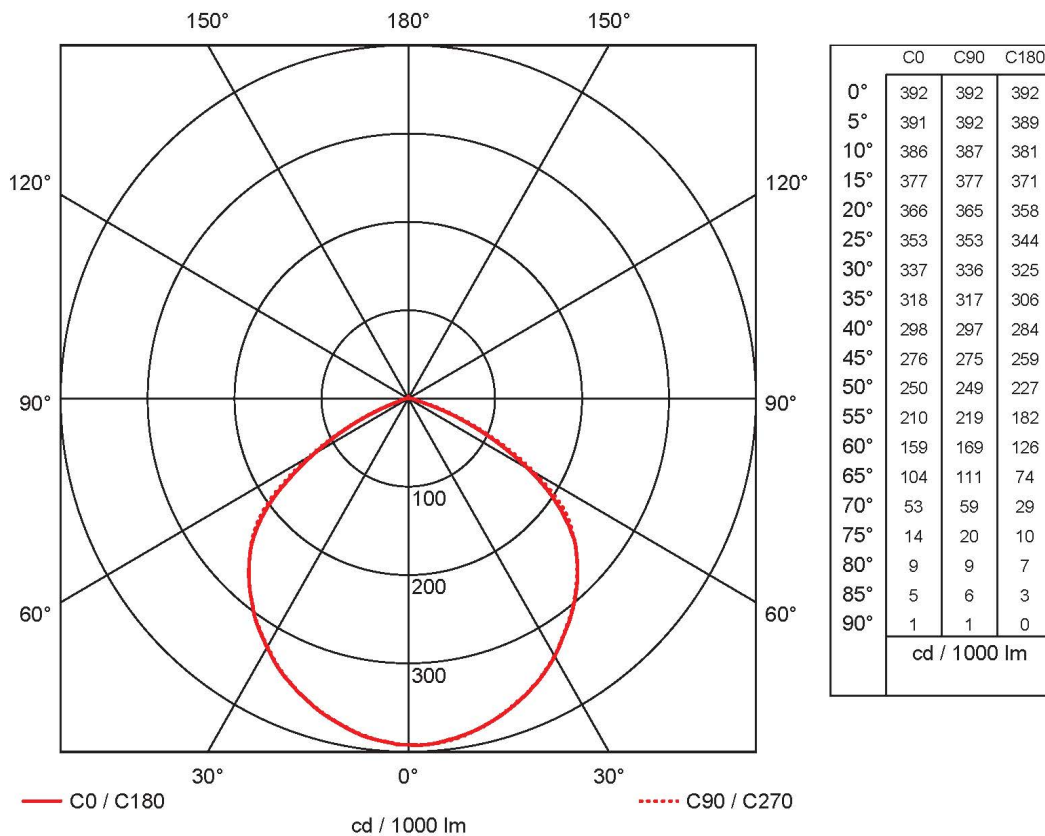
Technical Data

Electrical Ratings	
Rated Voltage	AC 100V~220V
Rated Wattage	60W~200W
Rated Frequency	50/60 Hz
Entry Size	PF 3/4"

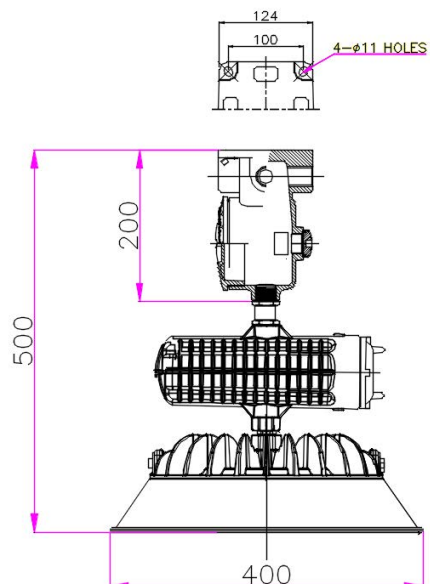
Ordering Number

LAMP	WATT	Ceiling	Pendant	40° Bracket	90° Bracket
LED	60	SEBP-WPL-A-601	SEBP-WPL-A-602	SEBP-WPL-A-603	SEBP-WPL-A-604
	70	SEBP-WPL-A-701	SEBP-WPL-A-702	SEBP-WPL-A-703	SEBP-WPL-A-704
	80	SEBP-WPL-A-801	SEBP-WPL-A-802	SEBP-WPL-A-803	SEBP-WPL-A-804
	90	SEBP-WPL-A-901	SEBP-WPL-A-902	SEBP-WPL-A-903	SEBP-WPL-A-904
	100	SEBP-WPL-A-1001	SEBP-WPL-A-1002	SEBP-WPL-A-1003	SEBP-WPL-A-1004
	120	SEBP-WPL-A-1201	SEBP-WPL-A-1202	SEBP-WPL-A-1203	SEBP-WPL-A-1204
	150	SEBP-WPL-A-1501	SEBP-WPL-A-1502	SEBP-WPL-A-1503	SEBP-WPL-A-1504
	200	SEBP-WPL-A-2001	SEBP-WPL-A-2002	SEBP-WPL-A-2003	SEBP-WPL-A-2004

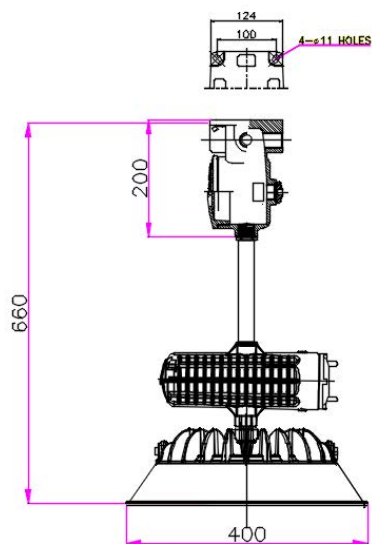
Photometric Data



Dimension

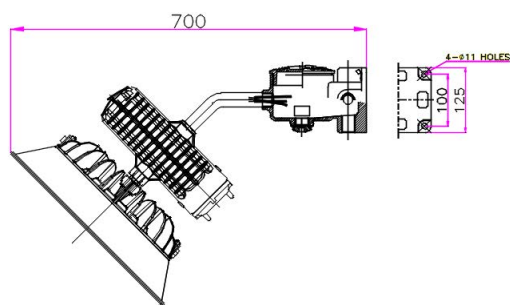


Ceiling Type

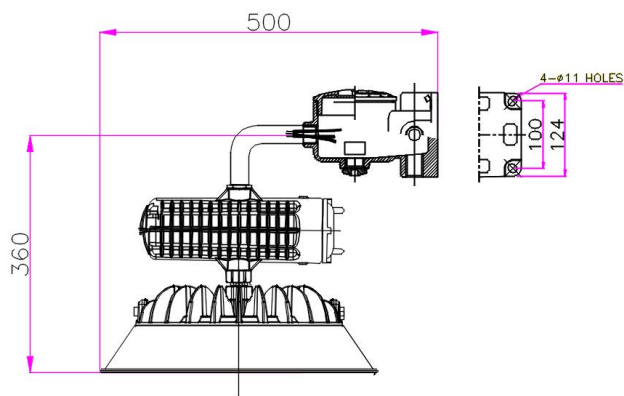
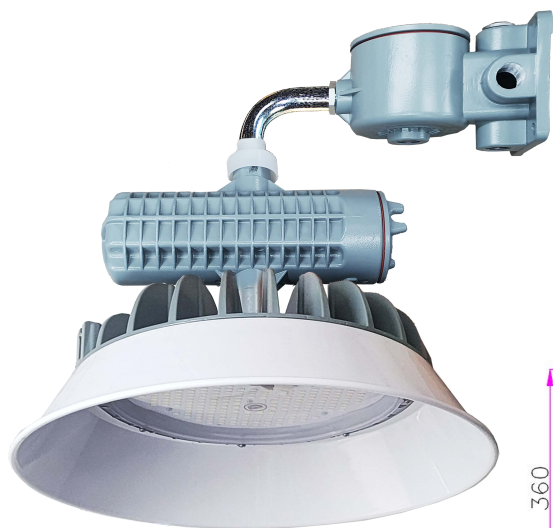


Pendant Type

Dimension



40° Bracket Type



90° Bracket Type