

Compact Fluorescent Lighting Fixtures

SPD SERIES

Type of Explosion-Proof
Non Sparking (Ex nR II T6 IP55)
Dust-ignition proof (Ex tD A22 T85°C IP65)



Standard Materials

- Enclosure : Aluminium sheet
- Globe : Heat resistant hard glass
- Globe Frame : Die casting aluminium alloy
- Mounting Box : Die casting aluminium alloy

Standard Finish

- MUNSELL No. 7.5BG 6/1.5
- If you want another color, contact us please.

Compliance & Certification

- IEC 60079-0,15
- Notification of Ministry of Labor No. 2010-36
- Certified by KGS (Korea Gas Safety Corporation)

Application

SPD Series lighting fixture are used

- In heavy process industries having environments where flammable or explosive vapors or gases, or where combustible dusts are present.
- In paint spray booth suitability provides efficient, economical HID lighting for paint spray areas.
- In hazardous areas, both indoors and outdoors where long life and low maintenance costs are desired.
- In hazardous locations requiring elevated ambient capability.
- In marine applications where water spray and corrosive atmospheres are considerations.

Features

- The globe is sealed into the globe frame firmly with silicone rubber gasket, and the globe assembly is fitted to the body by three socket head capative screws.
- The body and ballast are constructed separately so as to protect the ballast from the heat of the lamp.
- Reflector is vacuum coating.

Technical Data

Electrical Ratings	
Rated Voltage	AC110V/220V/240V (*See Below)
Rated Wattage	EL45W,55W,65W EL70W,75W,80W,100W
Rated Frequency	50Hz, 60Hz
Entry Size	1/2", 3/4"

Weight

Mounting Type	Catalog No.	Weight
Ceiling Type	SEBP-SPDEL1001	5.8kg
90° Bracket Type	SEBP-SPDEL1004	6.0kg

Ordering Number

LAMP	Watt	Ceiling	Pendant	40° Bracket	90° Bracket
Compact Fluorescent Lamp	45	SEBP-SPDEL-45-1	SEBP-SPDEL-45-2	SEBP-SPDEL-45-3	SEBP-SPDEL-45-4
	55	SEBP-SPDEL-55-1	SEBP-SPDEL-55-2	SEBP-SPDEL-55-3	SEBP-SPDEL-55-4
	65	SEBP-SPDEL-75-1	SEBP-SPDEL-75-2	SEBP-SPDEL-75-3	SEBP-SPDEL-65-4
	70	SEBP-SPDEL-70-1	SEBP-SPDEL-70-2	SEBP-SPDEL-70-3	SEBP-SPDEL-70-4
	75	SEBP-SPDEL-75-1	SEBP-SPDEL-75-2	SEBP-SPDEL-75-3	SEBP-SPDEL-75-4
	80	SEBP-SPDEL-80-1	SEBP-SPDEL-80-2	SEBP-SPDEL-80-3	SEBP-SPDEL-80-4
	100	SEBP-SPDEL-100-1	SEBP-SPDEL-100-2	SEBP-SPDEL-100-3	SEBP-SPDEL-100-4

Ordering Information

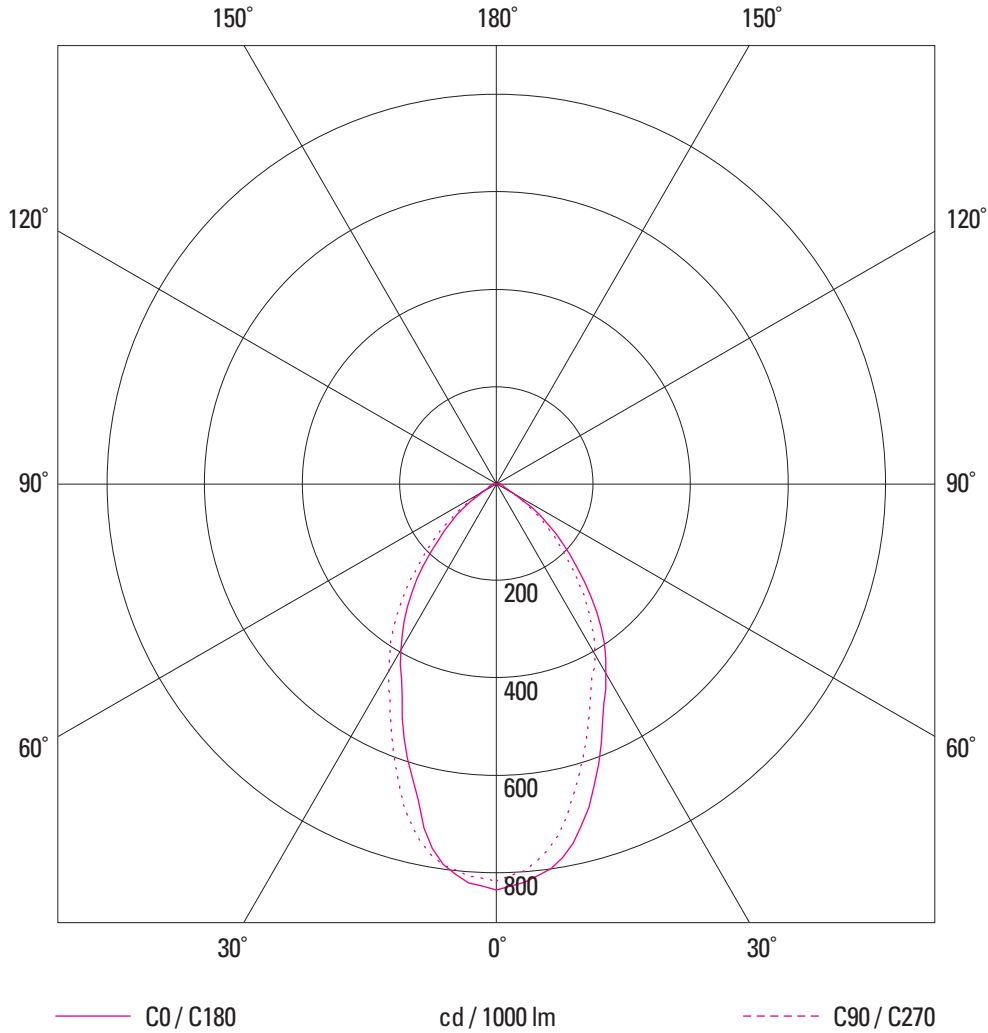
SEBP - SPD - EL - 100 - 1



* Entry Size : 1/2" / 3/4"

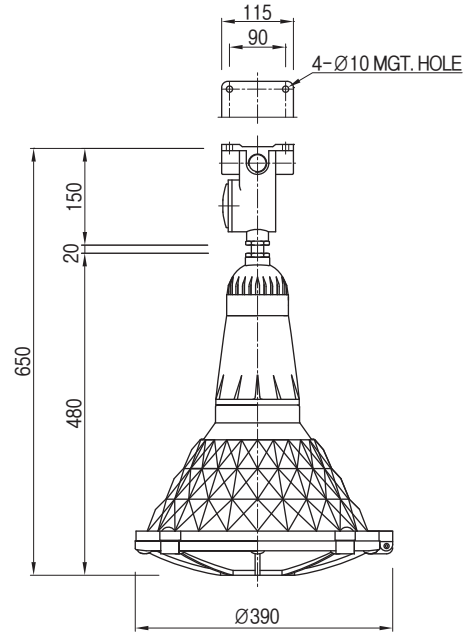
Photometric Data

SEBP-SPD-EL-55W

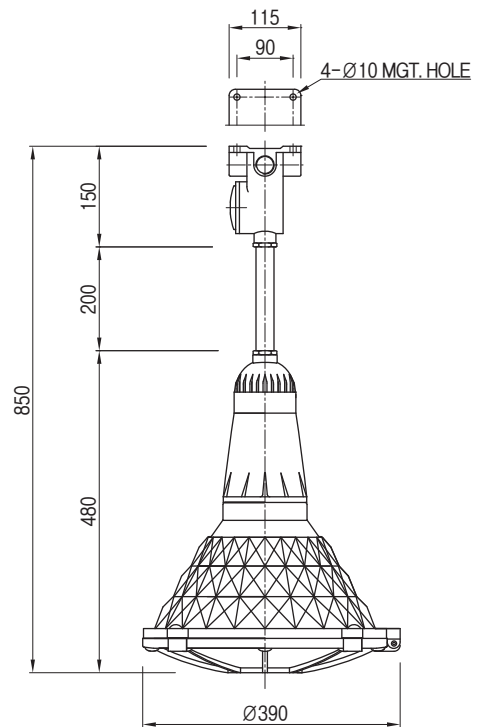


	C0	C90	C180
0°	834	816	834
5°	815	790	815
10°	780	732	761
15°	707	636	649
20°	613	545	556
25°	518	460	462
30°	450	404	394
35°	383	337	327
40°	303	262	255
45°	224	192	179
50°	159	135	126
55°	98	81	73
60°	43	35	30
65°	20	19	18
70°	15	14	14
75°	11	11	10
80°	9	9	8
85°	6	6	4
90°	2	3	2
	cd / 1000 lm		

Dimension

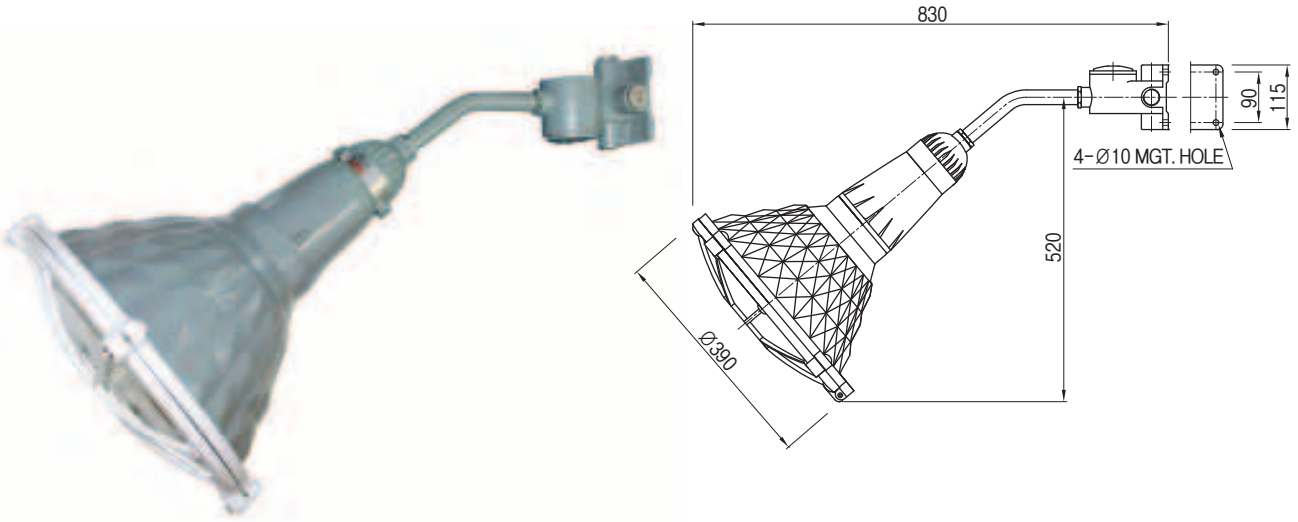


Ceiling Type

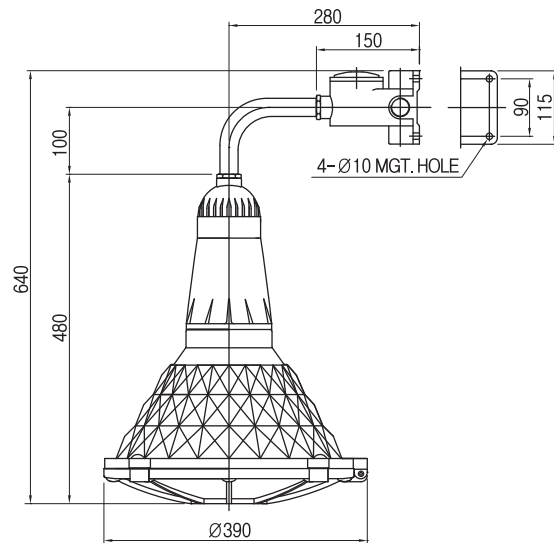


Pendant Type

Dimension



40° Bracket Type



90° Bracket Type