

Integral Ballast Type H.I.D Lighting Fixtures

MJ SERIES

Type of Explosion-proof
Non Sparking (Ex nR II T3 IP65)
Dust-ignition proof (Ex tD A21 T200°C IP65)



Standard Materials

- Enclosure : Die casting aluminium alloy
- Globe : Heat resistant hard glass
- Inner Reflector : High purity aluminium
- Guard : Stainless steel

Standard Finish

- MUNSELL No. 7.5BG 6/1.5
- If you want another color, contact us please.

Compliance & Certification

- IEC 60079-0,15
- Notification of Ministry of Labor No. 2010-36
- Certified by KGS (Korea Gas Safety Corporation)

Application

MJ Series lighting fixture are used

- In applications made hazardous by the presence of combustible dusts
- In areas in which ignitable concentrations of flammable gases or vapors will be present only due to abnormal, unusual, or accidental conditions
- In marine applications where water spray and corrosive atmospheres are considerations
- In areas where combustible dusts and flammable vapors are present simultaneously
- In elevated ambient temperatures often found in industrial applications
- In installations where moisture, dirt, dust, vibration, corrosion and rough usage are problems
- Wherever the damaging effects of wind, snow, sleet, or hot sun are found
- In grain handling, storage and processing plants, coal preparation plants, coal conveying areas, food processing plants, manufacturing plants, refineries, chemical, petrochemical, and other industrial process facilities, waste or sewage treatment facilities, offshore, dockside, and harbor installations, and other heavy industrial Rated Voltage applications

Features

- Seven mounting arrangements to suit any lighting layout – pendant, flexible pendant, ceiling, wall bracket, angle stanchion, straight stanchion, and quad-mount.
- Wide range of light sources and wattages to meet specifiers' needs: 50, 70, 100, 150, 250, 400 watt high pressure sodium (NH); 70, 100, 150, 175, 200, 250, 350, 400 watt metal halide.
- Hinged ballast housing for ease of installation and maintenance.
- Superior gasketing seals between the mounting module, housing, and optical assembly for optimum performance in wet and corrosive environments.
- Mogul base porcelain lamp socket.

Technical Data

Electrical Ratings	
Rated Voltage	AC110V/220V/240V (*See Below)
Rated Wattage	150W/175W/200W/250W/350W/400W
Rated Frequency	50Hz/60Hz
Entry Size	1/2", 3/4", 1"

Weight

Mounting Type	Catalog No.	Weight
Ceiling Type	SEBP-MJMH2501	14.5kg
Ceiling Type	SEBP-MJMH4001	15.0kg

Ordering Number

LAMP	Watt	Ceiling	Pendant	40° Bracket	90° Bracket
High Pressure Sodium	100	SEBP-MJNH-1001	SEBP-MJNH-1002	SEBP-MJNH-1003	SEBP-MJNH-1004
	150	SEBP-MJNH-1501	SEBP-MJNH-1502	SEBP-MJNH-1503	SEBP-MJNH-1504
	200	SEBP-MJNH-2001	SEBP-MJNH-2002	SEBP-MJNH-2003	SEBP-MJNH-2004
	250	SEBP-MJNH-2501	SEBP-MJNH-2502	SEBP-MJNH-2503	SEBP-MJNH-2504
	400	SEBP-MJNH-4001	SEBP-MJNH-4002	SEBP-MJNH-4003	SEBP-MJNH-4004
Metal Halide	150	SEBP-MJMH-1501	SEBP-MJMH-1502	SEBP-MJMH-1503	SEBP-MJMH-1504
	175	SEBP-MJMH-1751	SEBP-MJMH-1752	SEBP-MJMH-1753	SEBP-MJMH-1754
	200	SEBP-MJMH-2001	SEBP-MJMH-2002	SEBP-MJMH-2003	SEBP-MJMH-2004
	250	SEBP-MJMH-2501	SEBP-MJMH-2502	SEBP-MJMH-2503	SEBP-MJMH-2504
	350	SEBP-MJMH-3501	SEBP-MJMH-3502	SEBP-MJMH-3503	SEBP-MJMH-3504
	400	SEBP-MJMH-4001	SEBP-MJMH-4002	SEBP-MJMH-4003	SEBP-MJMH-4004
High Pressure Mercury	100	SEBP-MJH-1001	SEBP-MJH-1002	SEBP-MJH-1003	SEBP-MJH-1004
	200	SEBP-MJH-2001	SEBP-MJH-2002	SEBP-MJH-2003	SEBP-MJH-2004
	250	SEBP-MJH-2501	SEBP-MJH-2502	SEBP-MJH-2503	SEBP-MJH-2504
	400	SEBP-MJH-4001	SEBP-MJH-4002	SEBP-MJH-4003	SEBP-MJH-4004

Ordering Information

SEBP - MJ - MH - 100 - 1



* Entry Size : 1/2" / 3/4" / 1"

Reflector



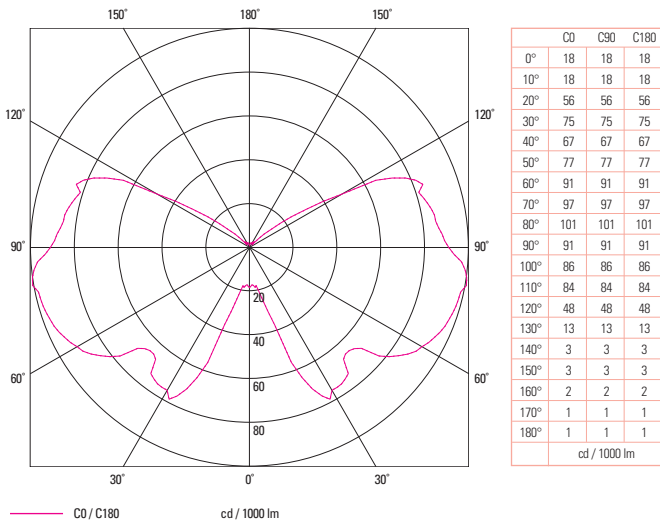
Standard Dome Reflector



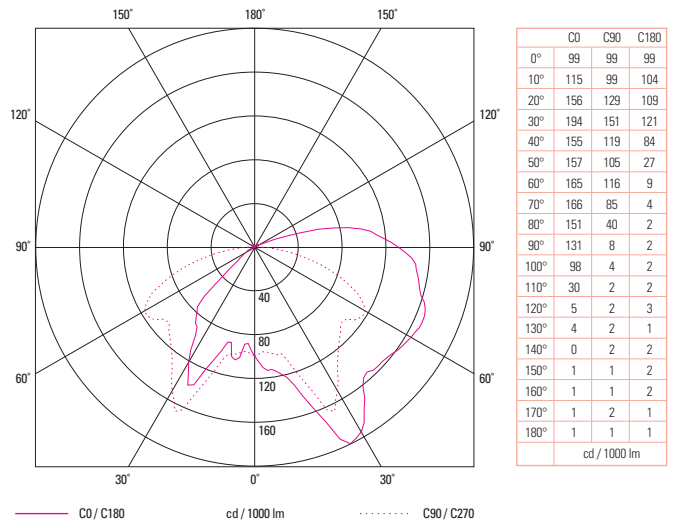
Angle Dome Reflector

Photometric Data

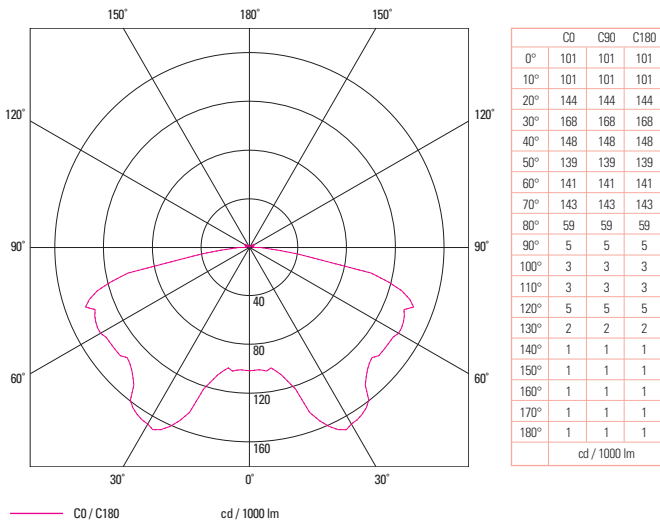
SEBP-MJ-NH150W GLOBE AND GUARD



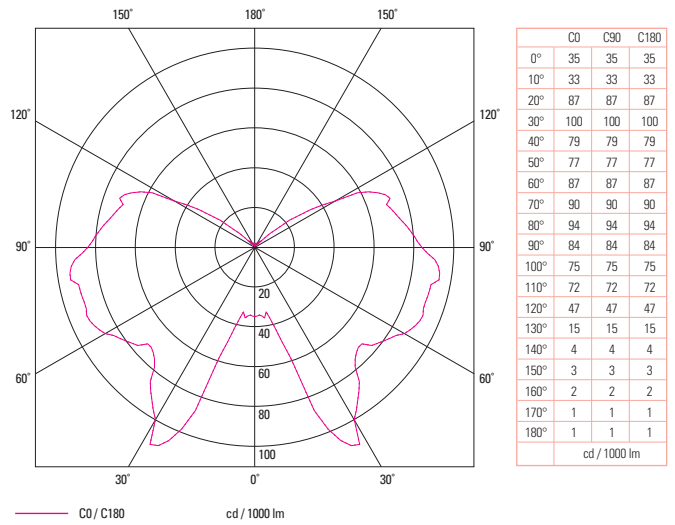
SEBP-MJ-NH250W GLOBE AND GUARD;30° REFLECTOR



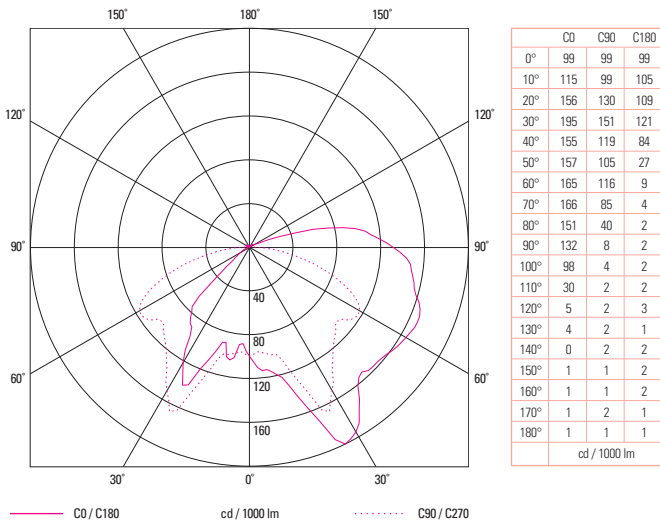
SEBP-MJ-NH150W GLOBE AND GUARD;DOME REFLECTOR



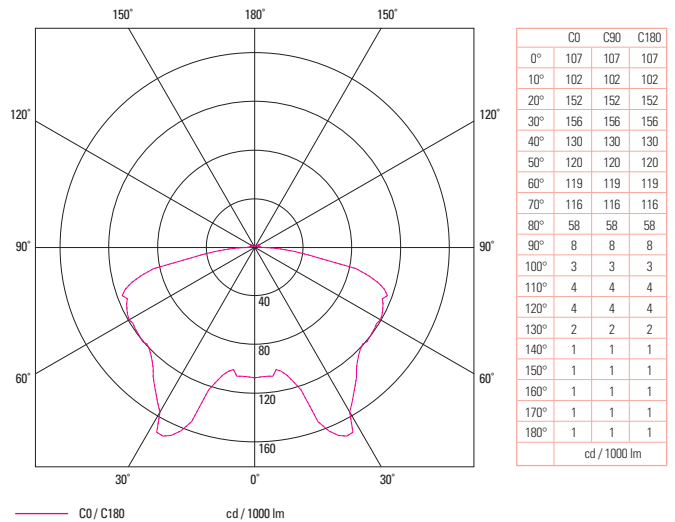
SEBP-MJ-MH250W GLOBE AND GUARD



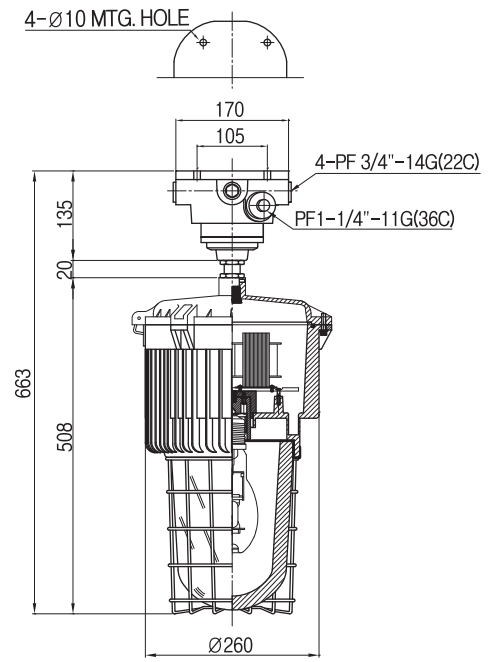
SEBP-MJ-MH250W GLOBE AND GUARD;30° REFLECTOR



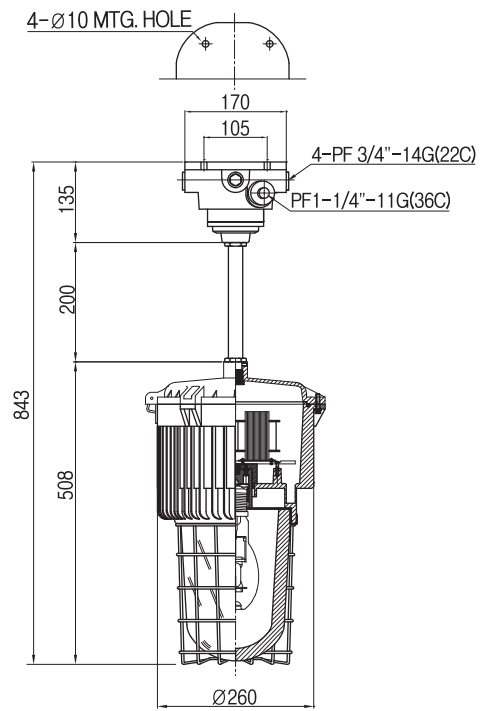
SEBP-MJ-MH250W GLOBE AND GUARD;DOME REFLECTOR



Dimension

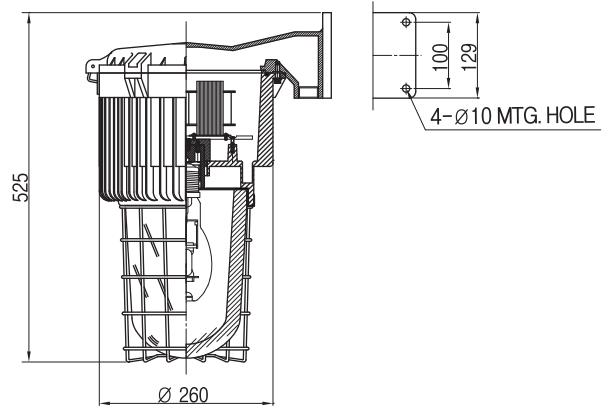


Ceiling Type

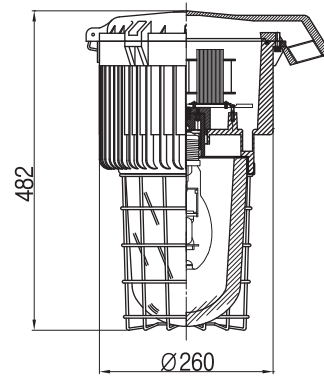


Pendant Type

Dimension



90° Bracket Type



Stanchion Pole Type