

Separated Ballast Type H.I.D Lighting Fixtures

FAS SERIES

Type of Explosion-proof
Flameproof (Ex d IIB+H2 T3)
Dust-ignition proof (Ex tD A21 T200°C IP65)



Standard Materials

- Enclosure : Die casting aluminium alloy
- Mounting Box : Die casting aluminium alloy
- Ballast Box : Die casting aluminium alloy
- Globe : Heat resistant hard glass
- Inner Reflector : High purity aluminium
- Guard : Stainless steel

Standard Finish

- MUNSELL No. 7.5BG 6/1.5
- If you want another color, contact us please.

Compliance & Certification

- IEC 60079-0,1
- Notification of Ministry of Labor No. 2010-36
- Certified by KOSHA
(Korea Occupational Safety & Health Agency)

Application

FAS Series HID Lighting fixtures are used

- Areas where flammable or explosive vapors or gases are present.
- Confined spaces or heavy process industry facilities.
- Petroleum refineries; chemical, petrochemical and pharmaceutical plants; oil terminals; gas plants.
- Waste treatment facilities.
- Drilling platforms and other coastal and offshore hazardous areas.

Features

- Small, compact size is perfect where low mounting restrictions are a concern.
- All exterior hardware is corrosionresistant stainless steel.
- Integral ballast for lowest installed cost.

Technical Data

Electrical Ratings	
Rated Voltage	AC110V/220V/240V (*See Below)
Rated Wattage	50W/70W/100W/150W/175W/200W/250W
Rated Frequency	50Hz/60Hz
Entry Size	1/2", 3/4", 1"

Weight

Mounting Type	Catalog No.	Weight
Ceiling Type	SEBP-FAS1501	9.5kg
Ceiling Type	SEBP-FAS2501	9.8kg

Ordering Number

LAMP	Watt	Ceiling	Pendant	40° Bracket	90° Bracket
High Pressure Sodium	100	SEBP-FASNH-1001	SEBP-FASNH-1002	SEBP-FASNH-1003	SEBP-FASNH-1004
	150	SEBP-FASNH-1501	SEBP-FASNH-1502	SEBP-FASNH-1503	SEBP-FASNH-1504
	200	SEBP-FASNH-2001	SEBP-FASNH-2002	SEBP-FASNH-2003	SEBP-FASNH-2004
	250	SEBP-FASNH-2501	SEBP-FASNH-2502	SEBP-FASNH-2503	SEBP-FASNH-2504
Metal Halide	70	SEBP-FASMH-701	SEBP-FASMH-702	SEBP-FASMH-703	SEBP-FASMH-704
	100	SEBP-FASMH-1001	SEBP-FASMH-1002	SEBP-FASMH-1003	SEBP-FASMH-1004
	150	SEBP-FASMH-1501	SEBP-FASMH-1502	SEBP-FASMH-1503	SEBP-FASMH-1504
	175	SEBP-FASMH-1751	SEBP-FASMH-1752	SEBP-FASMH-1753	SEBP-FASMH-1754
	200	SEBP-FASMH-2001	SEBP-FASMH-2002	SEBP-FASMH-2003	SEBP-FASMH-2004
	250	SEBP-FASMH-2501	SEBP-FASMH-2502	SEBP-FASMH-2503	SEBP-FASMH-2504
High Pressure Mercury	100	SEBP-FASH-1001	SEBP-FASH-1002	SEBP-FASH-1003	SEBP-FASH-1004
	200	SEBP-FASH-1501	SEBP-FASH-1502	SEBP-FASH-1503	SEBP-FASH-1504
	250	SEBP-FASH-2501	SEBP-FASH-1502	SEBP-FASH-1003	SEBP-FASH-2504

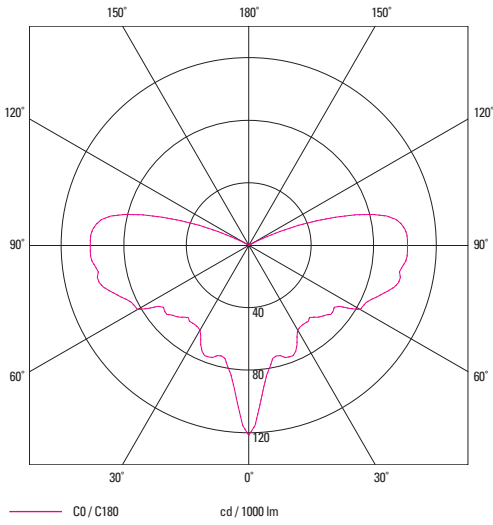
Ordering Information



* Entry Size : 1/2" / 3/4" / 1"

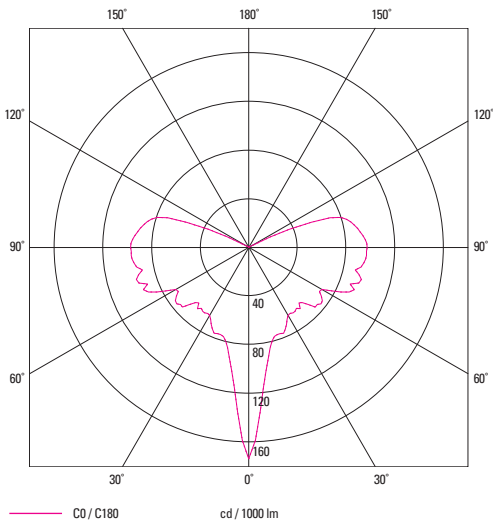
Photometric Data

SEBP-FAS-NH100W



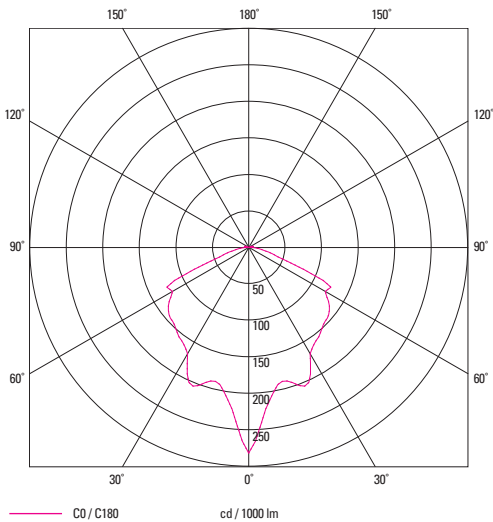
	C0	C90	C180
0°	122	122	122
10°	79	79	79
20°	76	76	76
30°	63	63	63
40°	60	60	60
50°	69	69	69
60°	82	82	82
70°	91	91	91
80°	98	98	98
90°	101	101	101
100°	96	96	96
110°	47	47	47
120°	2	2	2
130°	1	1	1
140°	1	1	1
150°	1	1	1
160°	0	0	0
170°	0	0	0
180°	0	0	0
	cd / 1000 lm		

SEBP-FAS-MH250W



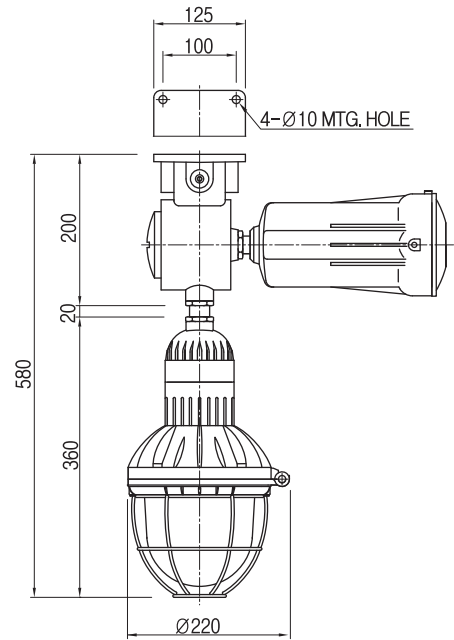
	C0	C90	C180
0°	174	174	174
10°	93	93	93
20°	76	76	76
30°	65	65	65
40°	66	66	66
50°	73	73	73
60°	70	70	70
70°	89	89	89
80°	94	94	94
90°	97	97	97
100°	91	91	91
110°	71	71	71
120°	4	4	4
130°	1	1	1
140°	1	1	1
150°	0	0	0
160°	0	0	0
170°	0	0	0
180°	0	0	0
	cd / 1000 lm		

SEBP-FAS-MH175W WITH DOME

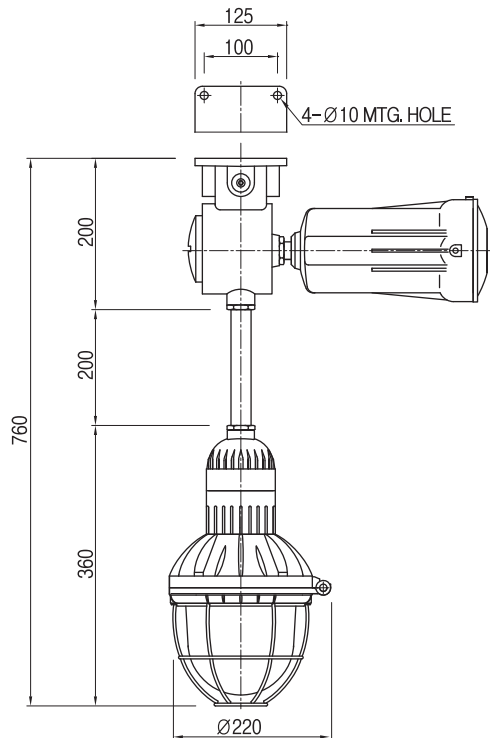


	C0	C90	C180
0°	282	282	282
10°	200	200	200
20°	201	201	201
30°	168	168	168
40°	153	153	153
50°	143	143	143
60°	121	121	121
70°	57	57	57
80°	18	18	18
90°	1	1	1
100°	4	4	4
110°	3	3	3
120°	0	0	0
130°	0	0	0
140°	0	0	0
150°	0	0	0
160°	0	0	0
170°	0	0	0
180°	0	0	0
	cd / 1000 lm		

Dimension

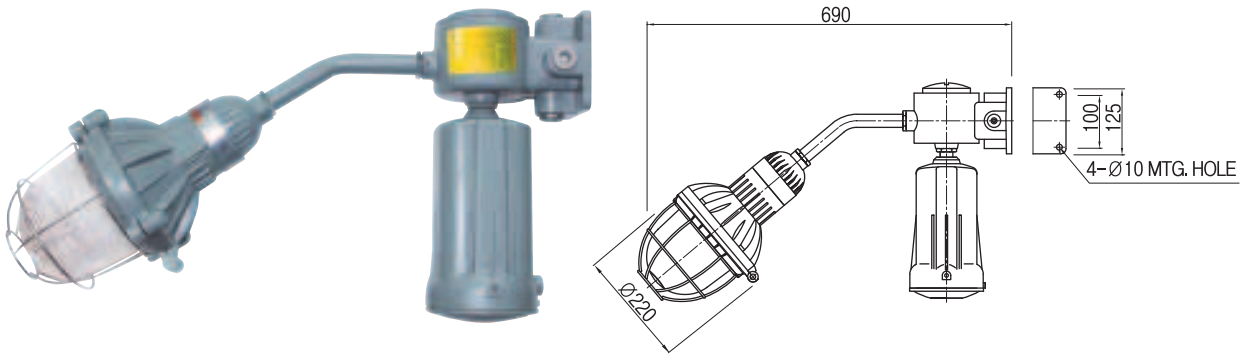


Ceiling Type

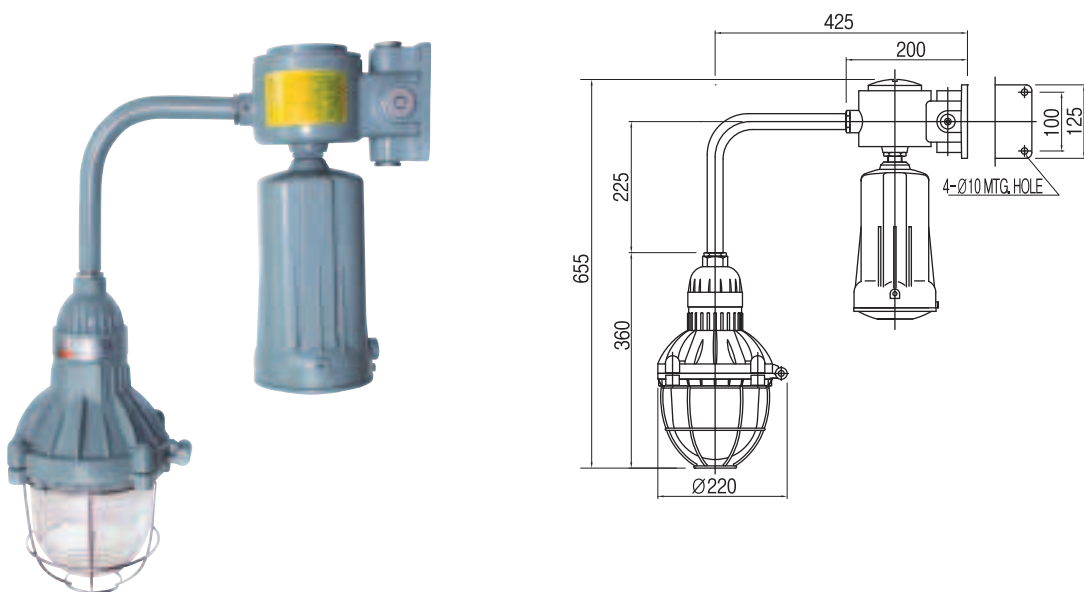


Pendant Type

Dimension



40° Bracket Type



90° Bracket Type