

Separated Ballast Type H.I.D Lighting Fixtures

FAM SERIES

Type of Explosion-proof
Flameproof (Ex d IIB+H2 T3)
Dust-ignition proof (Ex tD A21 T200°C IP65)



Standard Materials

- Enclosure : Die casting aluminium alloy
- Mounting Box : Die casting aluminium alloy
- Ballast Box : Die casting aluminium alloy
- Globe : Heat resistant hard glass
- Inner Reflector : High purity aluminium
- Guard : Stainless steel

Standard Finish

- MUNSELL No. 7.5BG 6/1.5
- If you want another color, contact us please.

Compliance & Certification

- IEC 60079-0,1
- Notification of Ministry of Labor No. 2010-36
- Certified by KOSHA
(Korea Occupational Safety & Health Agency)

Application

FAM Series lighting fixture are used

- In heavy process industries having environments where flammable or explosive vapors or gases, or where combustible dusts are present.
- In paint spray booth suitability provides efficient, economical HID lighting for paint spray areas.
- In hazardous areas, both indoors and outdoors where long life and low maintenance costs are desired.
- In hazardous locations requiring elevated ambient capability.
- In marine applications where water spray and corrosive atmospheres are considerations.

Features

- Lighting unit and ballast are constructed separately so as to protect the ballast from the heat of the lamp.
- Base of the body and the top of the globe holder have accurate tapered cylindrical surfaces and are secured by four socket head captive screw.
- Lighting unit is screwed onto the top of the mounting box and the ballast to the side.
- Pendant mounting module equipped with integral hub set screws for vibration resistance.
- Globe assembly is securely hinged to the body.
 - Easy installation and maintenance.
- Hinged assembly allows the fixture to hang free during installation to permit the use of both hands when wiring.
- Can use compact fluorescent lamp instead of HID lamp without external ballast.

Technical Data

Electrical Ratings	
Rated Voltage	AC110V/220V/240V (*See Below)
Rated Wattage	150W/175W/200W/250W
Rated Frequency	50Hz/60Hz
Entry Size	1/2", 3/4", 1"

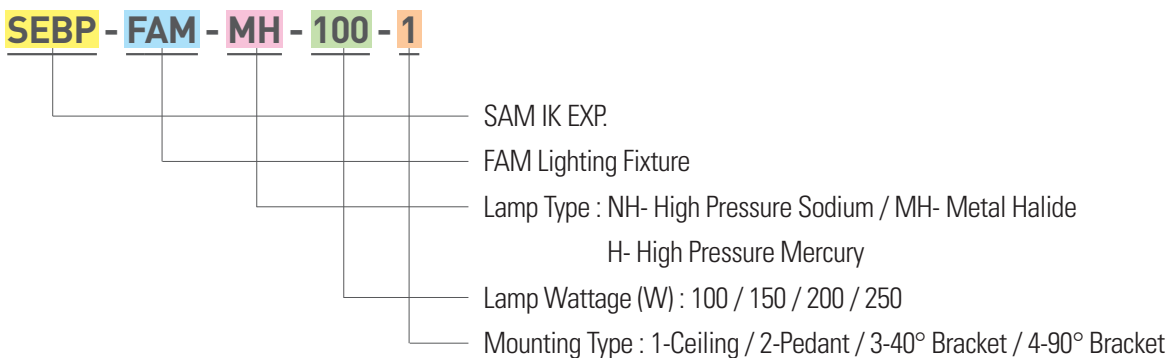
Weight

Mounting Type	Catalog No.	Weight
Ceiling Type	SEBP-FAM2501	14.5kg

Ordering Number

LAMP	Watt	Ceiling	Pendant	40° Bracket	90° Bracket
High Pressure Sodium	100	SEBP-FAMNH-1001	SEBP-FAMNH-1002	SEBP-FAMNH-1003	SEBP-FAMNH-1004
	150	SEBP-FAMNH-1501	SEBP-FAMNH-1502	SEBP-FAMNH-1503	SEBP-FAMNH-1504
	200	SEBP-FAMNH-2001	SEBP-FAMNH-2002	SEBP-FAMNH-2003	SEBP-FAMNH-2004
	250	SEBP-FAMNH-2501	SEBP-FAMNH-2502	SEBP-FAMNH-2503	SEBP-FAMNH-2504
Metal Halide	70	SEBP-FAMMH-701	SEBP-FAMMH-702	SEBP-FAMMH-703	SEBP-FAMMH-704
	100	SEBP-FAMMH-1001	SEBP-FAMMH-1002	SEBP-FAMMH-1003	SEBP-FAMMH-1004
	150	SEBP-FAMMH-1501	SEBP-FAMMH-1502	SEBP-FAMMH-1503	SEBP-FAMMH-1504
	175	SEBP-FAMMH-1751	SEBP-FAMMH-1752	SEBP-FAMMH-1753	SEBP-FAMMH-1754
	200	SEBP-FAMMH-2001	SEBP-FAMMH-2002	SEBP-FAMMH-2003	SEBP-FAMMH-2004
	250	SEBP-FAMMH-2501	SEBP-FAMMH-2502	SEBP-FAMMH-2503	SEBP-FAMMH-2504
High Pressure Mercury	100	SEBP-FAMH-1001	SEBP-FAMH-1002	SEBP-FAMH-1003	SEBP-FAMH-1004
	200	SEBP-FAMH-1501	SEBP-FAMH-1502	SEBP-FAMH-1503	SEBP-FAMH-1504
	250	SEBP-FAMH-2501	SEBP-FAMH-2502	SEBP-FAMH-2503	SEBP-FAMH-2504

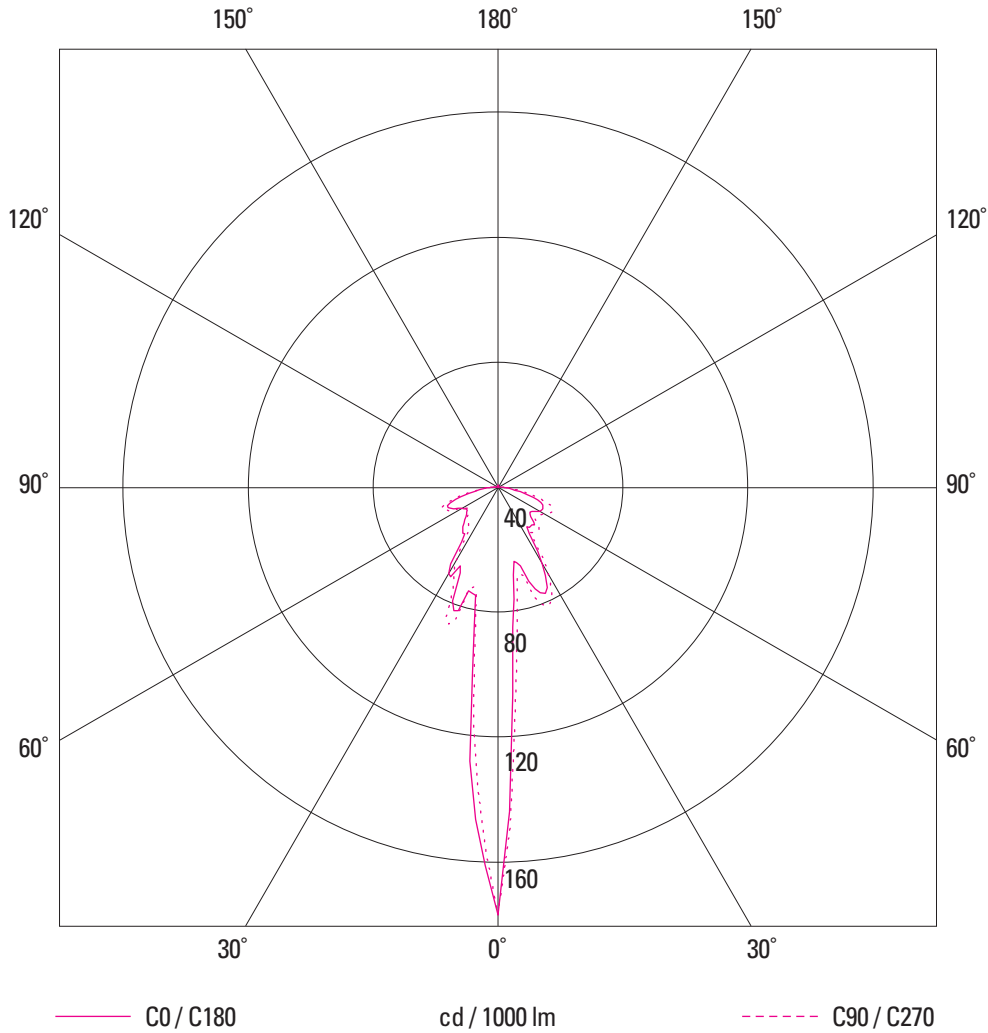
Ordering Information



* Entry Size : 1/2" / 3/4" / 1"

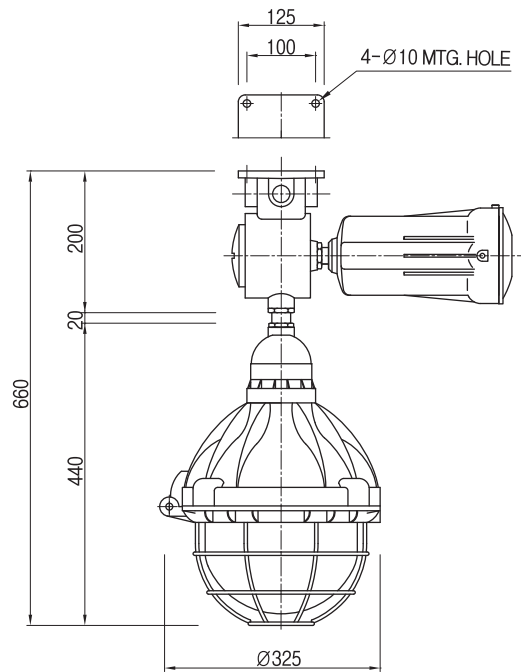
Photometric Data

SEBP-FAM-MH-250W

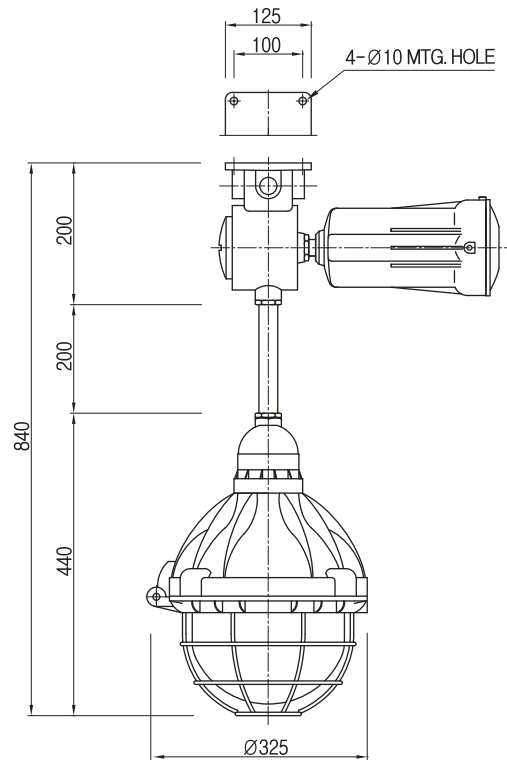


	C0	C90	C180
0°	213	263	213
5°	257	253	188
10°	259	233	170
15°	201	203	158
20°	189	206	176
25°	199	222	181
30°	203	251	195
35°	244	291	222
40°	234	284	219
45°	244	292	218
50°	229	316	235
55°	226	357	191
60°	177	246	105
65°	125	148	59
70°	64	72	32
75°	27	34	15
80°	15	17	7
85°	8	8	4
90°	5	6	4
	cd / 1000 lm		

Dimension

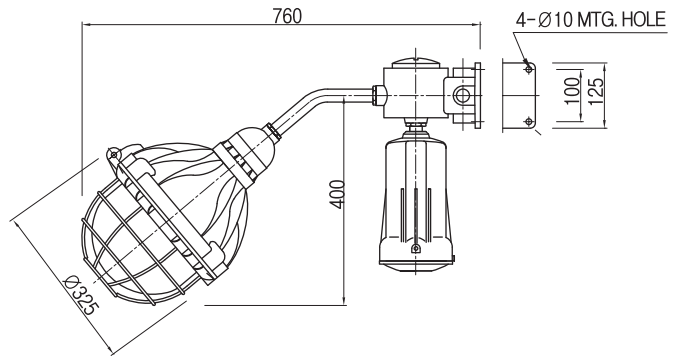
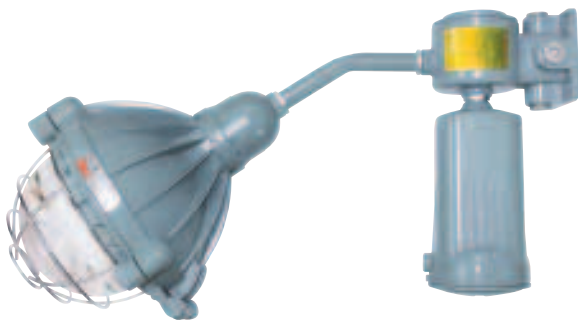


Ceiling Type

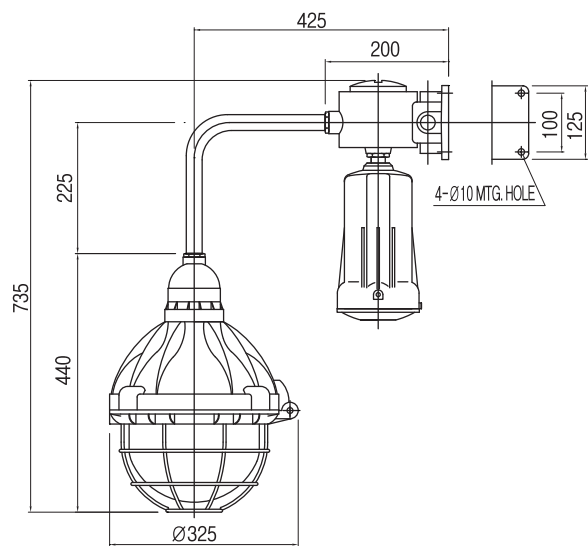


Pendant Type

Dimension



40° Bracket Type



90° Bracket Type