

# CILB-MB SERIES

Type of Explosion-Proof  
**Flameproof (Ex d IIC T6 IP66)**  
**Dust-ignition proof (Ex tD A21 IP66 T85°C )**



## Standard Materials

- Enclosure : Die casting aluminium alloy
- Mounting Box : Die casting aluminium alloy
- Glass : Heat resistant hard glass



## Standard Finish

- MUNSELL No. EX8816(NEW SILVER)
- If you want another color, contact us please.



## Compliance & Certification

- IEC 60079-0,15
- Notification of Ministry of Labor No. 2010-36
- Certified by KGS  
 (Korea Gas Safety Corporation)



## LED Benefits

### Enhance safety and productivity

- Instant illumination and re-strike
- Better visibility with crisp, white light
- T6 temperature rating – safely operate in the most hazardous environments
- Cold temperature operation / no warm-up required

### Reduce operation and maintenance costs

- Easy installation – compact modular fixture attaches onto existing Champ mounting module
- Energy-efficient – up to 85% reduction in energy used
- Provides up to 50,000 hours rated life – eliminates need for frequent lamp replacement
- Contains no mercury or other hazardous substances



## Application

### CILB-MB Series lighting fixture are used

- Areas requiring frequent on-and-off of lights
- Two lumen outputs for replacement of existing HID and incandescent luminaires
- Where flammable vapors, gases, ignitable dusts, fibers or flyings are present, indoors or outdoors
- Where extremely corrosive, wet, dusty, hot and/or cold conditions exist
- Manufacturing plants; heavy industrial, chemical, petrochemical or pharmaceutical facilities, latforms, loading docks, tunnels, outdoor wall and stanchion mounted general area lighting

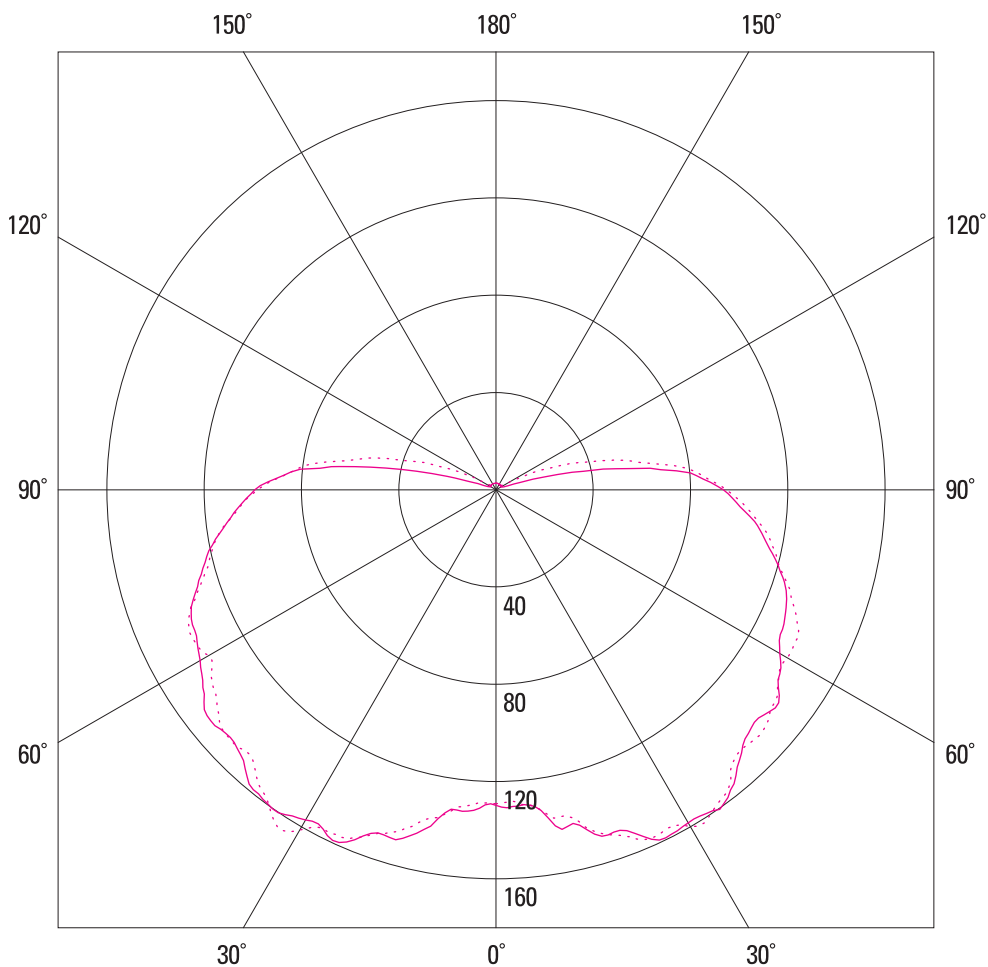
### Technical Data

Electrical Ratings	
Rated Voltage	AC 110V/220V
Rated Wattage	30W~60W
Rated Frequency	50Hz/60Hz
Entry Size	PF 3/4"

### Ordering Number

LAMP	Watt	Ceiling	Pendant	40° Bracket	90° Bracket
LED	30	SEBP-CILB-MB-301	SEBP-CILB-MB-302	SEBP-CILB-MB-303	SEBP-CILB-MB-304
	40	SEBP-CILB-MB-401	SEBP-CILB-MB-402	SEBP-CILB-MB-403	SEBP-CILB-MB-404
	50	SEBP-CILB-MB-501	SEBP-CILB-MB-502	SEBP-CILB-MB-503	SEBP-CILB-MB-504
	60	SEBP-CILB-MB-601	SEBP-CILB-MB-602	SEBP-CILB-MB-603	SEBP-CILB-MB-604

### Photometric Data

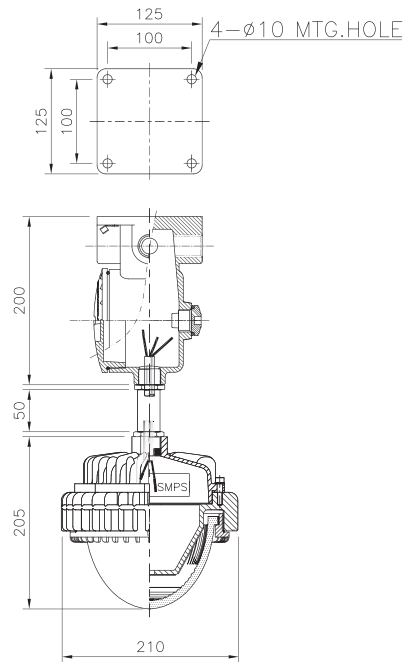


	C0	C90	C180
0°	130	129	130
10°	140	137	137
20°	149	151	150
30°	158	160	157
40°	153	150	158
50°	144	146	151
60°	135	138	141
70°	127	129	133
80°	112	114	117
90°	94	95	99
100°	50	63	54
110°	4	31	5
120°	2	6	3
130°	3	3	3
140°	3	3	3
150°	3	3	3
160°	3	3	3
170°	3	3	3
180°	3	3	3

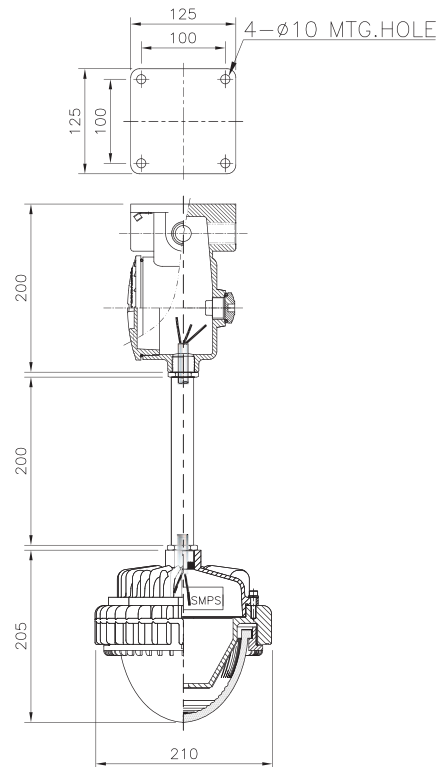
cd / 1000 lm

— C0 / C180                      cd / 1000 lm                      - - - C90 / C270

## Dimension

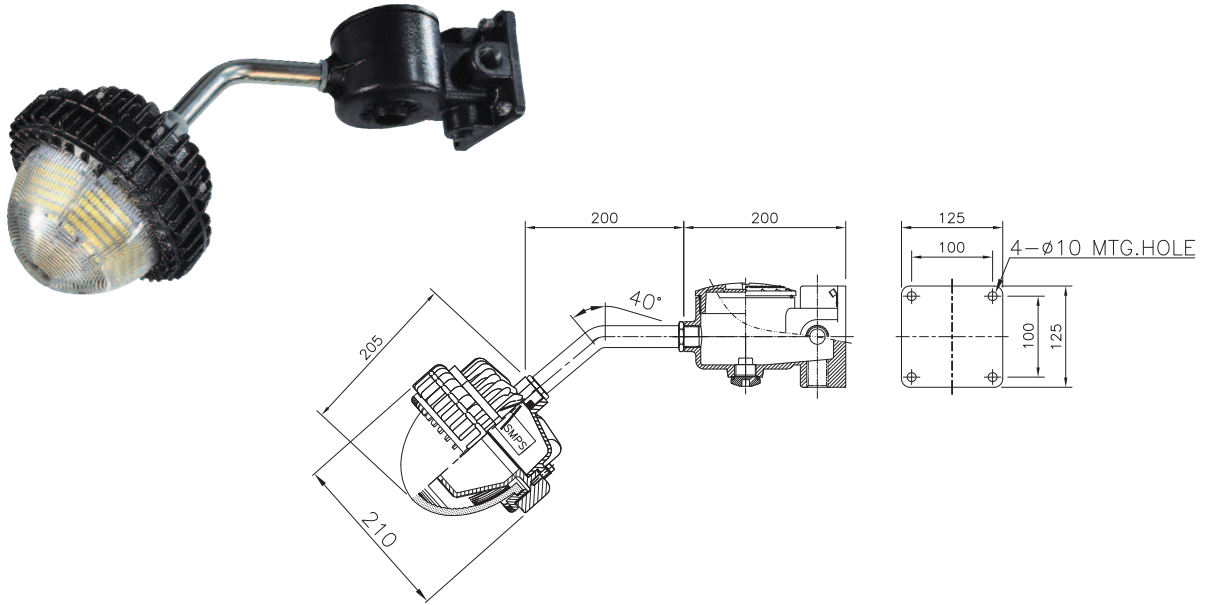


Ceiling Type

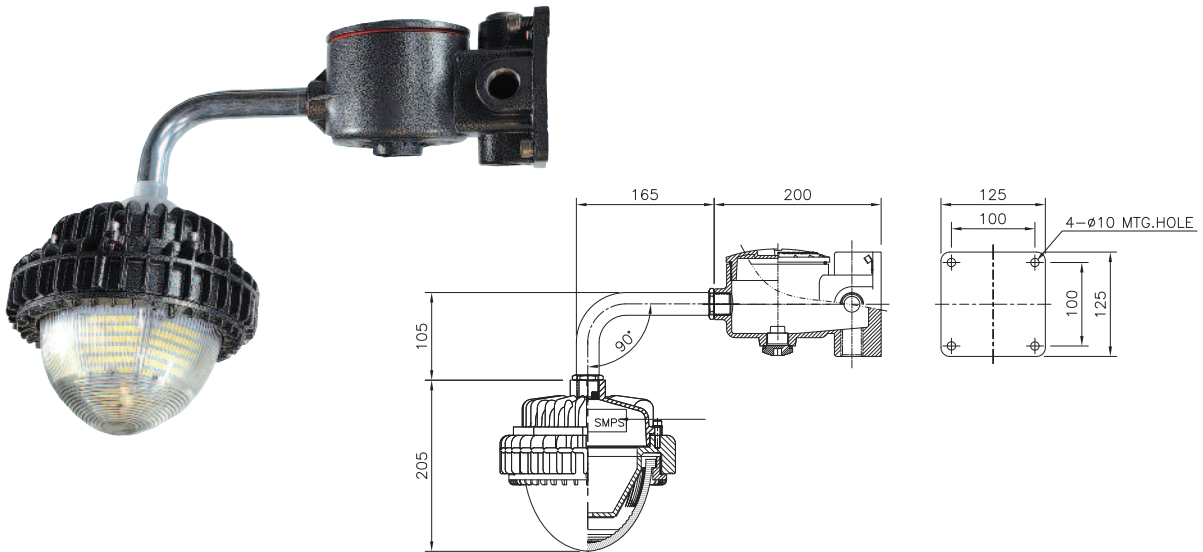


Pendant Type

## Dimension



40° Bracket Type



90° Bracket Type