

Separated Converter Type LED Lighting Fixtures

CELB SERIES

Type of Explosion-Proof
Flameproof (Ex d IIC T6 IP66)
Dust-ignition proof (Ex tD A21 IP66 T85°C)



Standard Materials

- Enclosure : Die casting aluminium alloy
- Mounting Box : Die casting aluminium alloy
- Glass : Heat resistant hard glass

Standard Finish

- MUNSELL No. EX8816(NEW SILVER)
- If you want another color, contact us please.

Compliance & Certification

- IEC 60079-0,15
- Notification of Ministry of Labor No. 2010-36
- Certified by KGS
 (Korea Gas Safety Corporation)

LED Benefits

Enhance safety and productivity

- Instant illumination and re-strike
- Better visibility with crisp, white light
- T6 temperature rating – safely operate in the most hazardous environments
- Cold temperature operation / no warm-up required

Reduce operation and maintenance costs

- Easy installation – compact modular fixture attaches onto existing Champ mounting module
- Energy-efficient – up to 85% reduction in energy used
- Provides up to 50,000 hours rated life – eliminates need for frequent lamp replacement
- Contains no mercury or other hazardous substances

Application

CELB Series lighting fixture are used

- Areas requiring frequent on-and-off of lights
- Two lumen outputs for replacement of existing HID and incandescent luminaires
- Where flammable vapors, gases, ignitable dusts, fibers or flyings are present, indoors or outdoors
- Where extremely corrosive, wet, dusty, hot and/or cold conditions exist
- Manufacturing plants; heavy industrial, chemical, petrochemical or pharmaceutical facilities, latforms, loading docks, tunnels, outdoor wall and stanchion mounted general area lighting

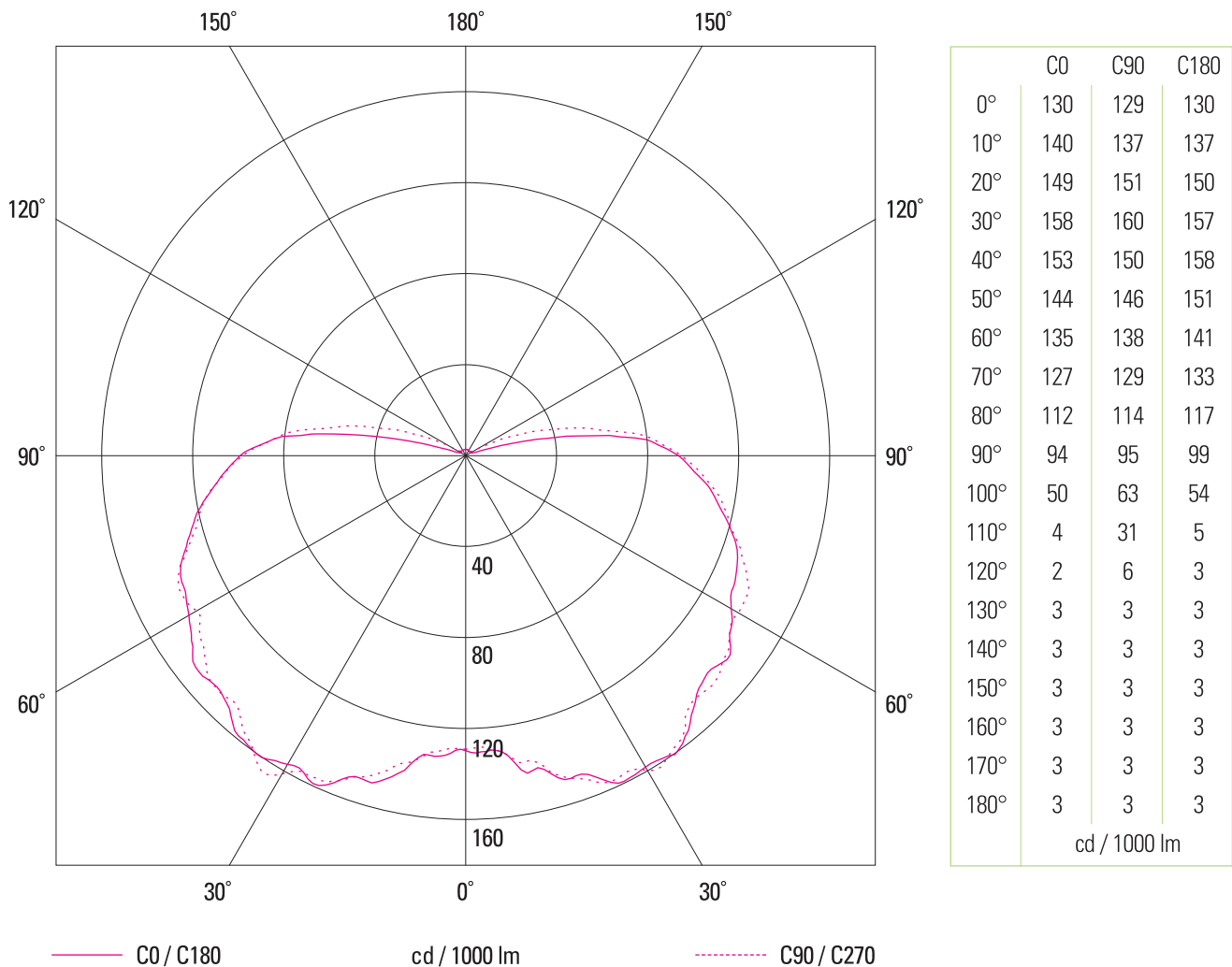
Technical Data

Electrical Ratings	
Rated Voltage	AC 110V/220V
Rated Wattage	30W~60W
Rated Frequency	50Hz/60Hz
Entry Size	PF 3/4"

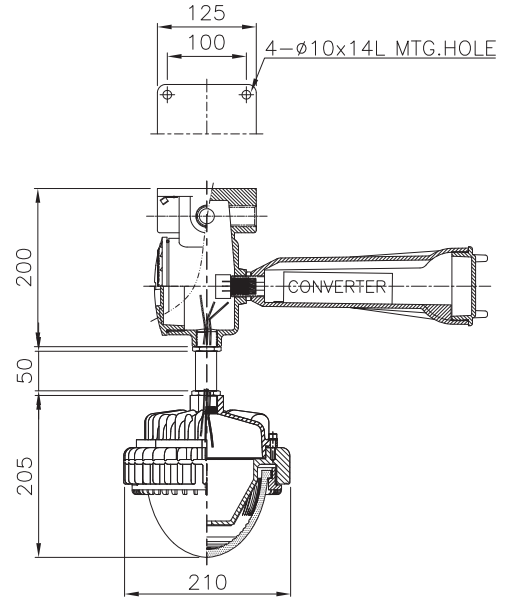
Ordering Number

LAMP	Watt	Ceiling	Pendant	40° Bracket	90° Bracket
LED	30	SEBP-CELB-301	SEBP-CELB-302	SEBP-CELB-303	SEBP-CELB-304
	40	SEBP-CELB-401	SEBP-CELB-402	SEBP-CELB-403	SEBP-CELB-404
	50	SEBP-CELB-501	SEBP-CELB-502	SEBP-CELB-503	SEBP-CELB-504
	60	SEBP-CELB-601	SEBP-CELB-602	SEBP-CELB-603	SEBP-CELB-604

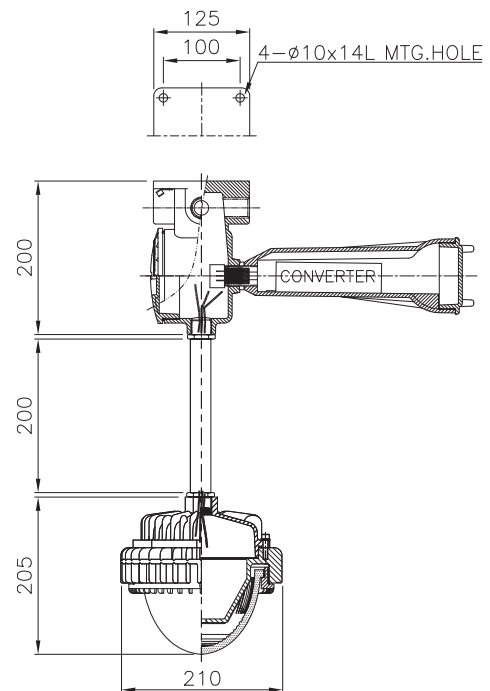
Photometric Data



Dimension

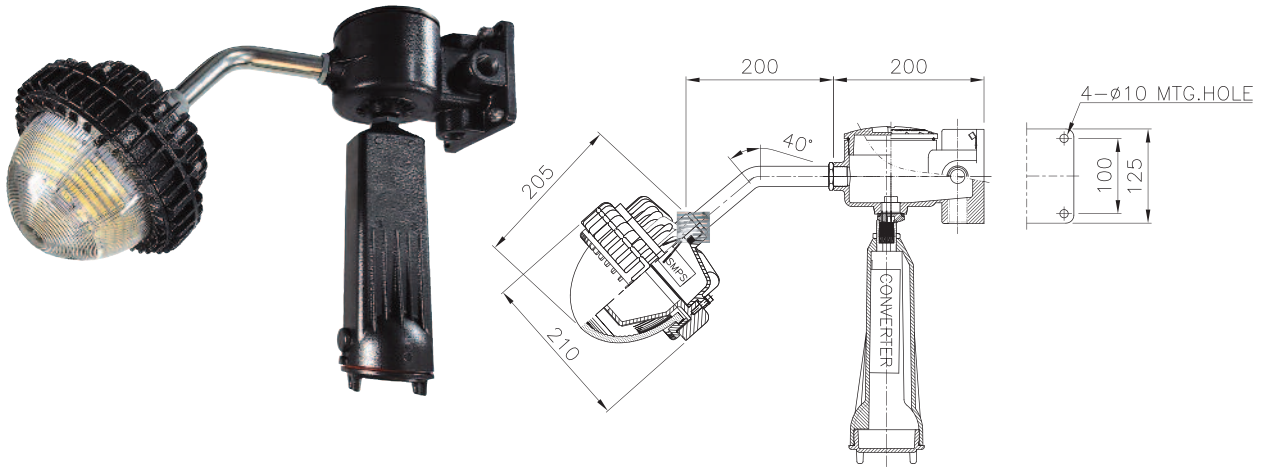


Ceiling Type

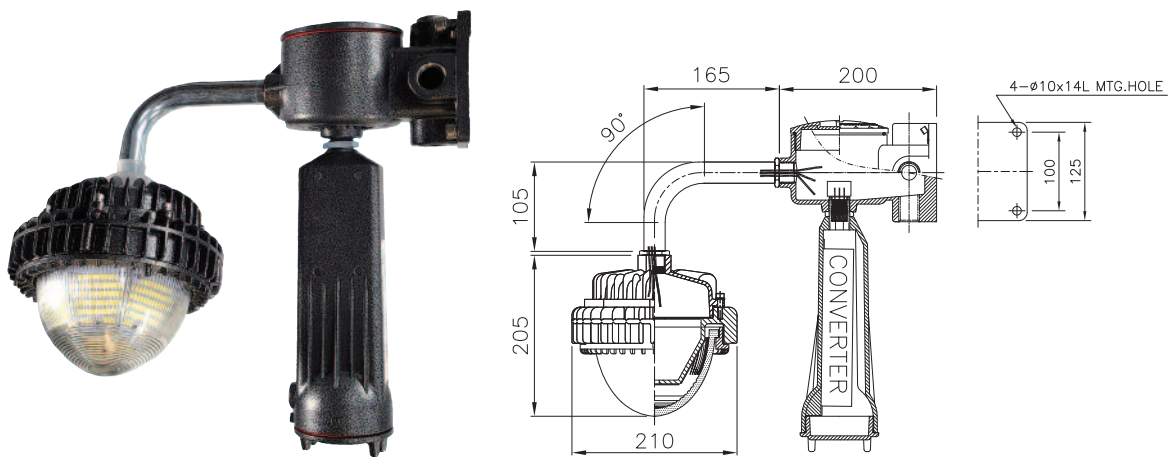


Pendant Type

Dimension



40° Bracket Type



90° Bracket Type