

AC Direct Type LED Lighting Fixtures

ACL / EXACL SERIES

Type of Explosion-Proof

Non Sparking
(Ex nA II T6 IP65)
Dust-ignition proof
(Ex tD A21 IP65 T85°C)



Flameproof
(Ex d IIC T6 IP66)
Dust-ignition proof
(Ex tD A21 IP66 T85°C)



LED Benefits

Enhance safety and productivity

- Instant illumination and re-strike
- Better visibility with crisp, white light
- T6 temperature rating – safely operate in the most hazardous environments
- Cold temperature operation / no warm-up required

Reduce operation and maintenance costs

- Easy installation – compact modular fixture attaches onto existing Champ mounting module
- Energy-efficient – up to 85% reduction in energy used
- Provides up to 50,000 hours rated life – eliminates need for frequent lamp replacement
- Contains no mercury or other hazardous substances

Standard Materials

- Enclosure : Die casting aluminium alloy
- Mounting Box : Die casting aluminium alloy
- Cover : Polycarbonate
- Glass : Heat resistant hard glass

Standard Finish

- MUNSELL No. 7.5BG 6/1.5
- If you want another color, contact us please.

Compliance & Certification

- IEC 60079-0,1
- Notification of Ministry of Labor No. 2010-36
- Certified by KGS (Korea Gas Safety Corporation)

Application

ACL / EXACL Series lighting fixture are used

- Areas requiring frequent on-and-off of lights
- Two lumen outputs for replacement of existing HID and incandescent luminaires
- Where flammable vapors, gases, ignitable dusts, fibers or flyings are present; indoors or outdoors
- Where extremely corrosive, wet, dusty, hot and/or cold conditions exist
- Manufacturing plants; heavy industrial, chemical, petrochemical or pharmaceutical facilities; latforms; loading docks; tunnels; outdoor wall and stanchion mounted general area lighting

Technical Data

Electrical Ratings	
Rated Voltage	AC110V/220V/240V (*See Below)
Rated Wattage	20W/30W/40W
Rated Frequency	50Hz/60Hz
Entry Size	1/2", 3/4"

Weight

Mounting Type	Catalog No.	Weight
Ceiling Type	SEBP-ACL / EXACL401	5.5kg

Ordering Number

LAMP	Watt	Ceiling	Pendant	40° Bracket	90° Bracket
LED	20	SEBP-ACL / EXACL-LED-201	SEBP-ACL / EXACL-LED-202	SEBP-ACL / EXACL-LED-203	SEBP-ACL / EXACL-LED-204
	30	SEBP-ACL / EXACL-LED-301	SEBP-ACL / EXACL-LED-302	SEBP-ACL / EXACL-LED-303	SEBP-ACL / EXACL-LED-304
	40	SEBP-ACL / EXACL-LED-401	SEBP-ACL / EXACL-LED-402	SEBP-ACL / EXACL-LED-403	SEBP-ACL / EXACL-LED-404

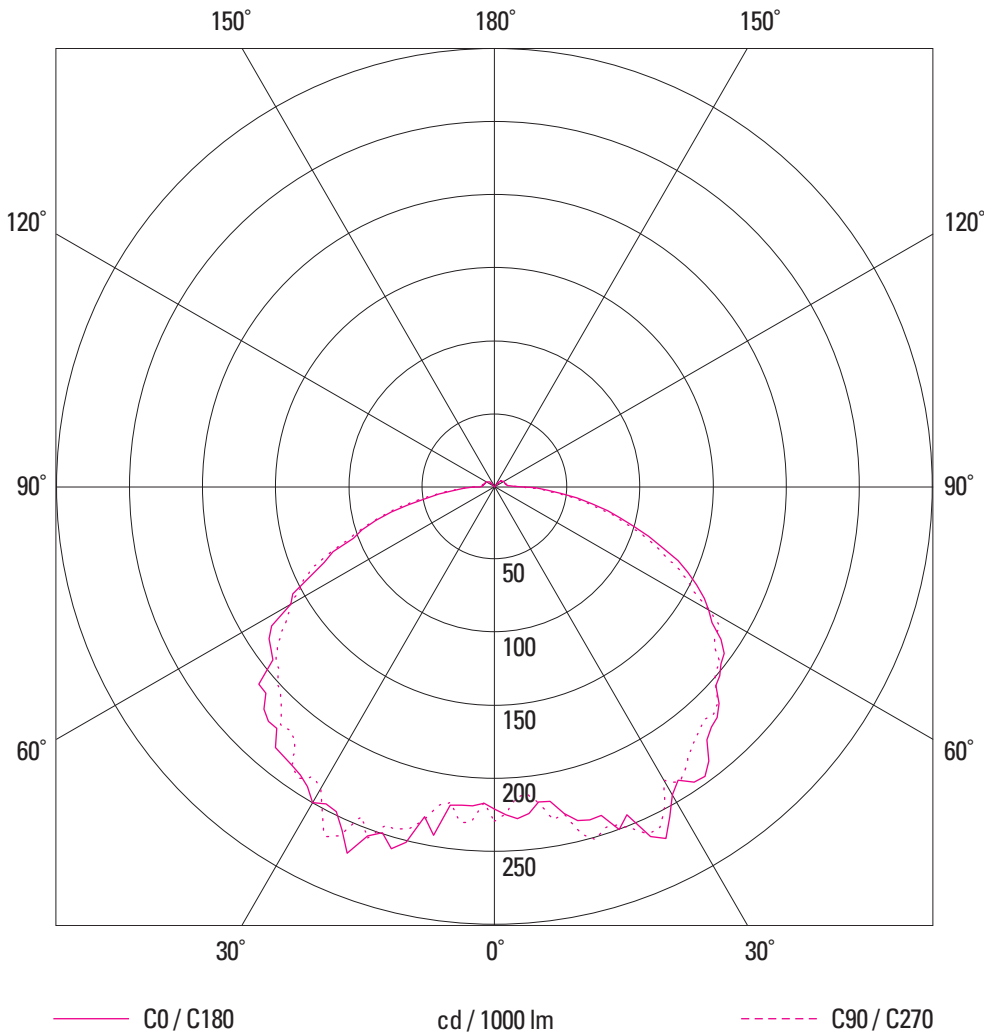
Ordering Information

SEBP - ACL / EXACL - LED - 40 - 1



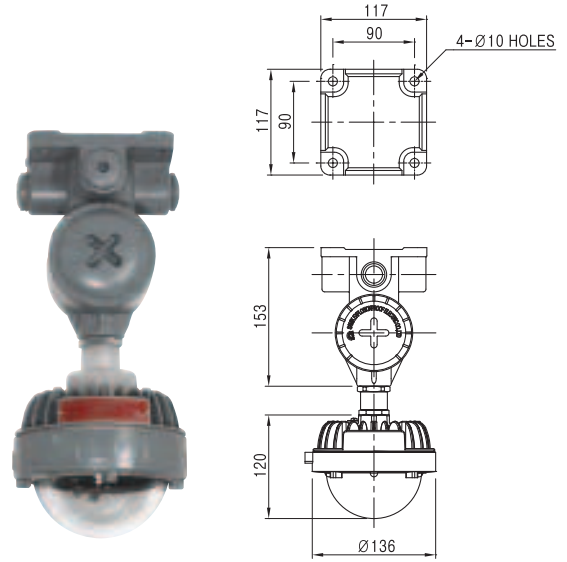
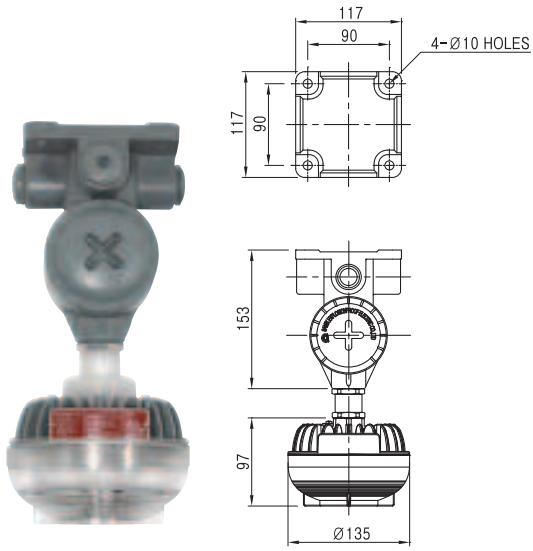
* Entry Size : 1/2" / 3/4"

Photometric Data

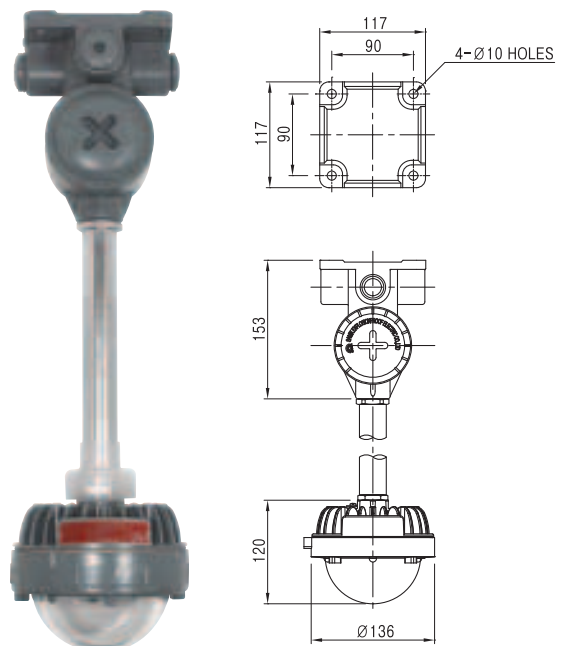
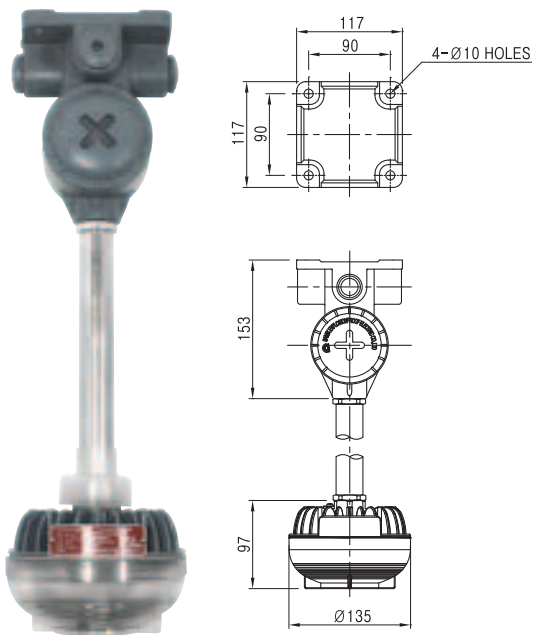


	C0	C90	C180
0°	221	229	221
10°	219	232	243
20°	250	247	255
30°	244	232	250
40°	226	218	234
50°	201	197	211
60°	170	171	161
70°	122	116	103
80°	68	63	50
90°	20	18	10
100°	9	9	8
110°	8	8	7
120°	7	7	7
130°	6	4	6
140°	0	0	0
150°	0	0	0
160°	0	0	0
170°	0	0	0
180°	0	0	0
	cd / 1000 lm		

Dimension

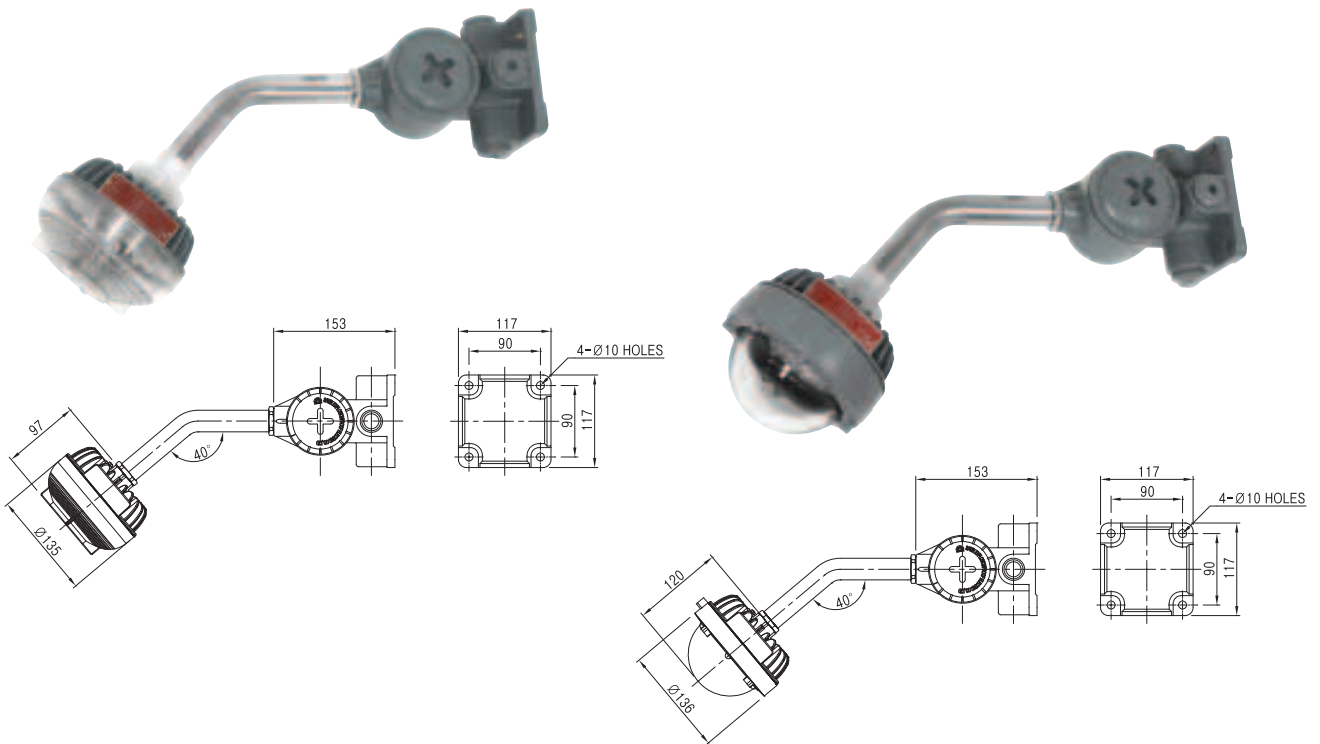


Ceiling Type

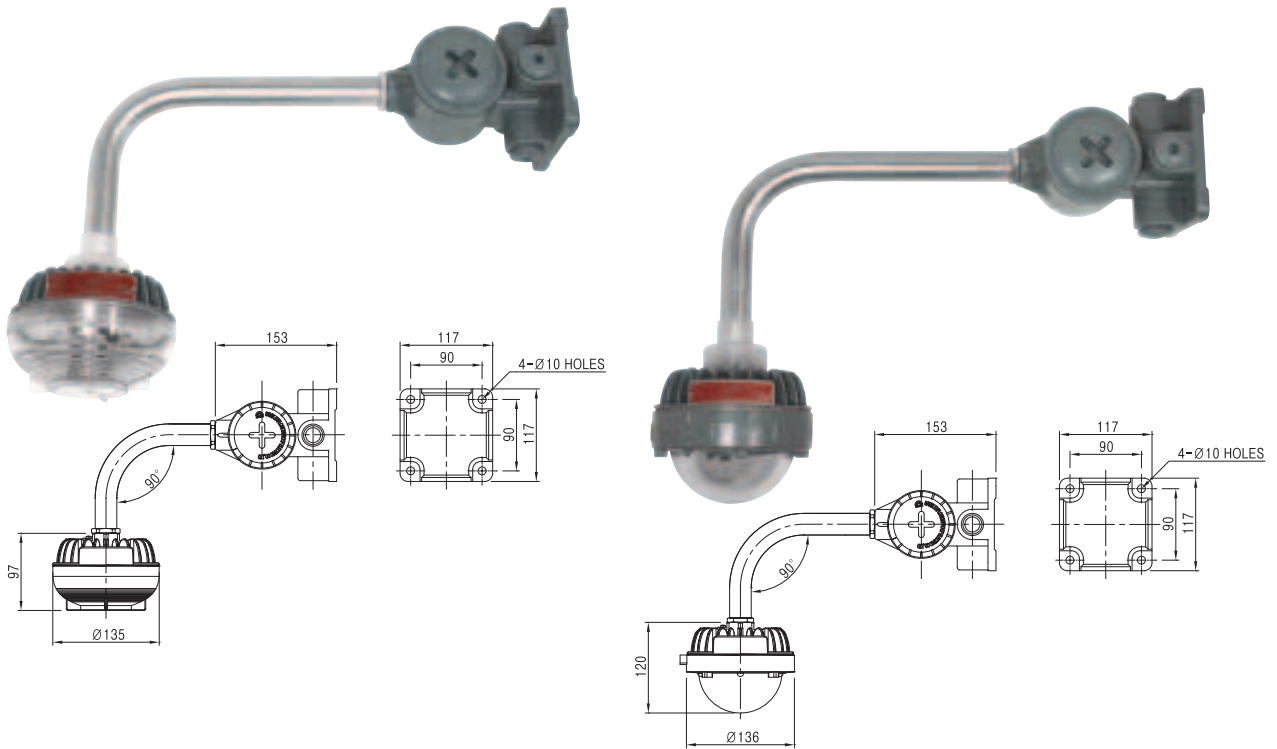


Pendant Type

Dimension



40° Bracket Type



90° Bracket Type