

Separated Converter Type LED Lighting Fixtures

CELE-(S)M-N SERIES

Type of Explosion-Proof
Flameproof (Ex d IIC T6 IP66)
Dust-ignition proof (Ex tD A21 IP66 T85°C)



Standard Materials

- Enclosure : Die casting aluminium alloy
- Mounting Box : Die casting aluminium alloy
- SMPS Box : Die casting aluminium alloy
- Glass : Tempered glass

Standard Finish

- MUNSELL No. 7.5BG 6/1.5
- If you want another color, contact us please.

Compliance & Certification

- IEC 60079-0,1
- Notification of Ministry of Labor No. 2010-36
- Certified by KGS (Korea Gas Safety Corporation)

LED Benefits

Enhance safety and productivity

- Instant illumination and re-strike
- Better visibility with crisp, white light
- T6 temperature rating – safely operate in the most hazardous environments
- Cold temperature operation / no warm-up required

Reduce operation and maintenance costs

- Easy installation – compact modular fixture attaches onto existing Champ mounting module
- Energy-efficient – up to 85% reduction in energy used
- Provides up to 50,000 hours rated life – eliminates need for frequent lamp replacement
- Contains no mercury or other hazardous substances

Application

CELE-(S)M-N Series lighting fixture are used

- Areas requiring frequent on-and-off of lights
- Two lumen outputs for replacement of existing HID and incandescent luminaires
- Where flammable vapors, gases, ignitable dusts, fibers or flyings are present, indoors or outdoors
- Where extremely corrosive, wet, dusty, hot and/or cold conditions exist
- Manufacturing plants, heavy industrial, chemical, petrochemical or pharmaceutical facilities, platforms, loading docks; tunnels, outdoor wall and stanchion mounted general area lighting

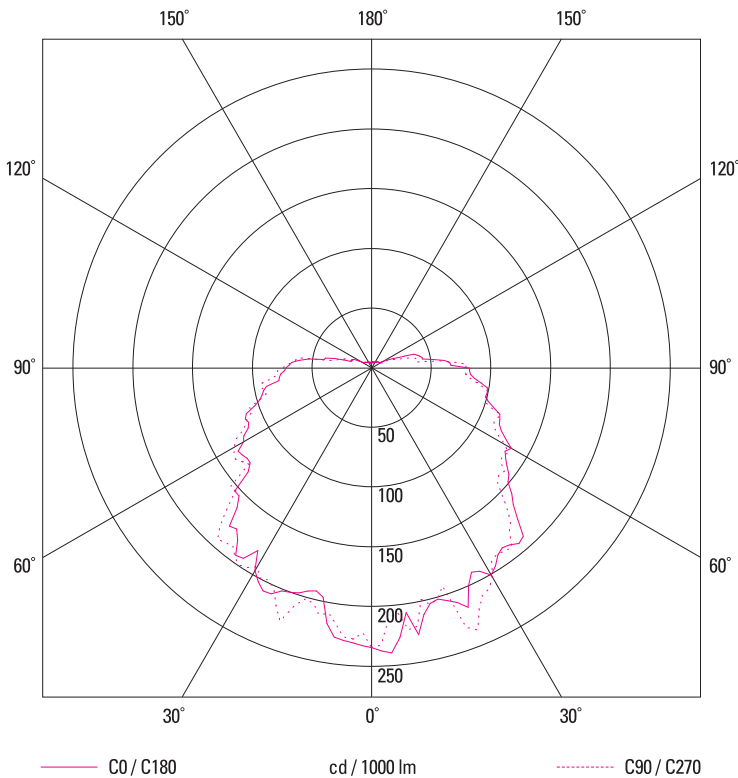
Technical Data

Electrical Ratings	
Rated Voltage	AC110V/220V
Rated Wattage	40W~120W
Rated Frequency	50Hz/60Hz
Entry Size	PF 3/4"

Ordering Number

LAMP	Watt	Ceiling	Pendant	40° Bracket	90° Bracket
LED	40	SEBP-CELE-S-N-401	SEBP-CELE-S-N-402	SEBP-CELE-S-N-403	SEBP-CELE-S-N-404
	50	SEBP-CELE-S-N-501	SEBP-CELE-S-N-502	SEBP-CELE-S-N-503	SEBP-CELE-S-N-504
	60	SEBP-CELE-S-N-601	SEBP-CELE-S-N-602	SEBP-CELE-S-N-603	SEBP-CELE-S-N-604
	70	SEBP-CELE-S-N-701	SEBP-CELE-S-N-702	SEBP-CELE-S-N-703	SEBP-CELE-S-N-704
LED	80	SEBP-CELE-M-N-801	SEBP-CELE-M-N-802	SEBP-CELE-M-N-803	SEBP-CELE-M-N-804
	90	SEBP-CELE-M-N-901	SEBP-CELE-M-N-902	SEBP-CELE-M-N-903	SEBP-CELE-M-N-904
	100	SEBP-CELE-M-N-1001	SEBP-CELE-M-N-1002	SEBP-CELE-M-N-1003	SEBP-CELE-M-N-1004
	110	SEBP-CELE-M-N-1101	SEBP-CELE-M-N-1102	SEBP-CELE-M-N-1103	SEBP-CELE-M-N-1104
	120	SEBP-CELE-M-N-1201	SEBP-CELE-M-N-1202	SEBP-CELE-M-N-1203	SEBP-CELE-M-N-1204

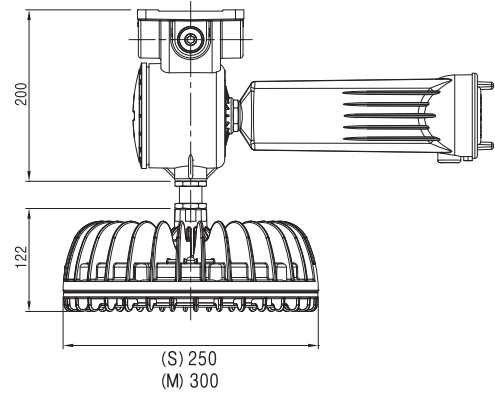
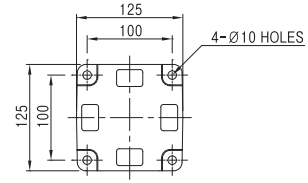
Photometric Data



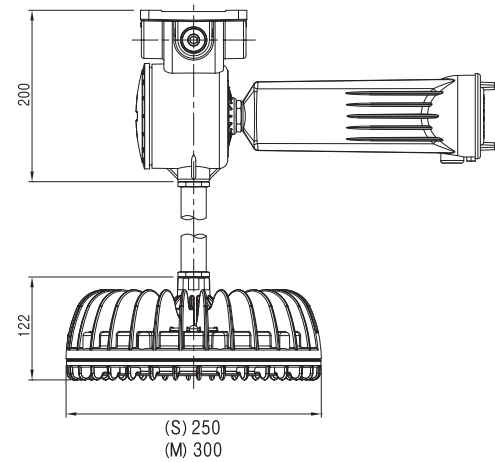
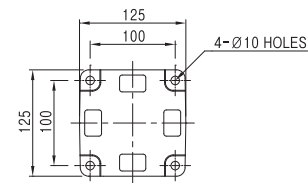
	C0	C90	C180
0°	234	234	234
10°	227	220	217
20°	209	231	200
30°	200	202	196
40°	192	179	176
50°	149	139	135
60°	135	129	124
70°	114	115	112
80°	98	95	90
90°	82	78	72
100°	43	40	41
110°	29	9	10
120°	11	111	74
130°	7	7	7
140°	7	7	7
150°	6	6	6
160°	5	5	4
170°	5	5	5
180°	5	5	5

cd / 1000 lm

Dimension

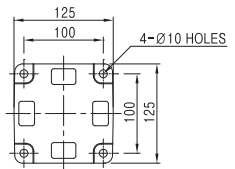
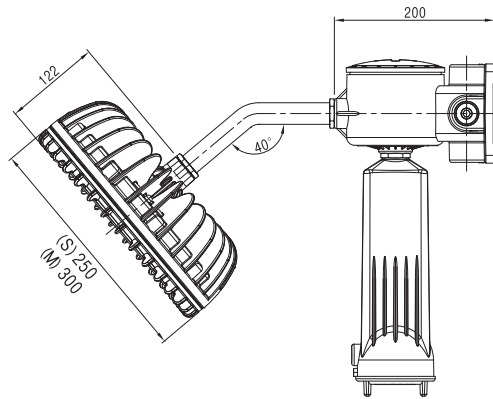


Ceiling Type

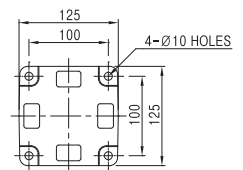
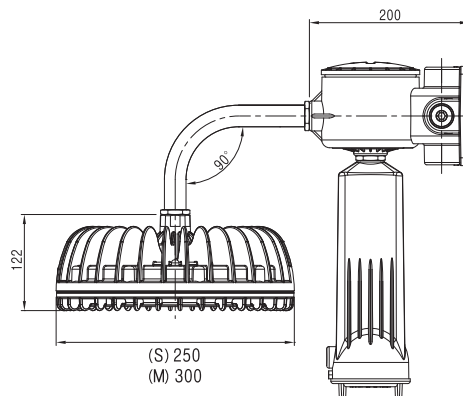


Pendant Type

Dimension



40° Bracket Type



90° Bracket Type