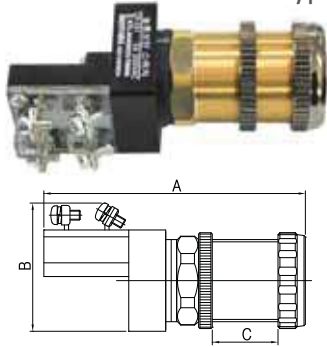


Control Switch Unit

# FCS SERIES

## PUSH BUTTONS

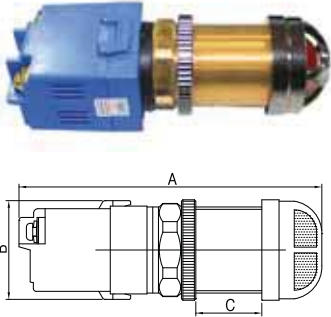
Type of Explosion-Proof : **Flameproof (Ex d IIC)**



Model	Dimension			Max.Rating	Color
SEBP-FCSPB	A	B	C	AC250V 6A 1a1b/2a2b	Red Green Yellow Black White
	95	47	24		

## PILOT LAMP

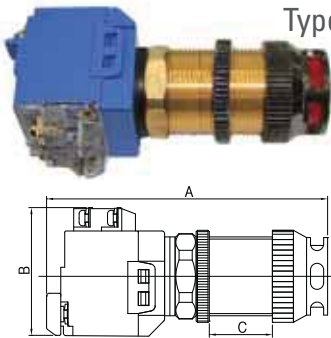
Type of Explosion-Proof : **Flameproof (Ex d IIC)**



Model	Dimension			Rated Voltage, Current	Color
SEBP-FCSPB	A	B	C	DC 24V AC 110V AC 220V AC 380V AC 440V	Red Green Yellow White
	106	34	23		

## ILLUMINATED PUSH BUTTONS LAMP

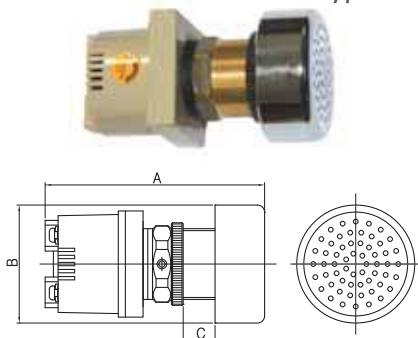
Type of Explosion-Proof : **Flameproof (Ex d IIC)**



Model	Dimension			Rated Voltage, Current	Color
SEBP-FCSPBL	A	B	C	DC24V, 6A AC110V, 6A AC220V, 6A	Red Green Yellow
	106	43	24		

## BUZZER

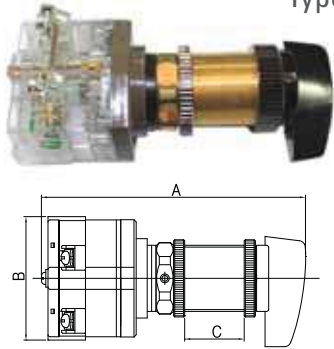
Type of Explosion-Proof : **Flameproof (Ex d IIC)**



Model	Dimension			Max.Rating
SEBP-FCSBZ	A	B	C	DC24V, 4A AC110V, 4A AC220V, 4A
	93	50	135	

### CAM SWITCH

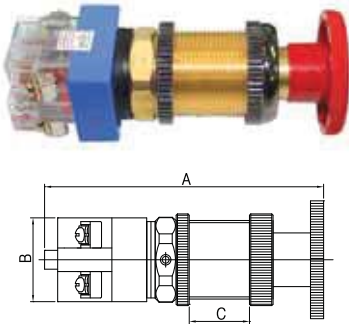
Type of Explosion-Proof : **Flameproof (Ex d IIC)**



Model	Dimension			Max.Rating
SEBP-FCSCM	A	B	C	AC250V 6A
	120	56	27	

### EMERGENCY SWITCH

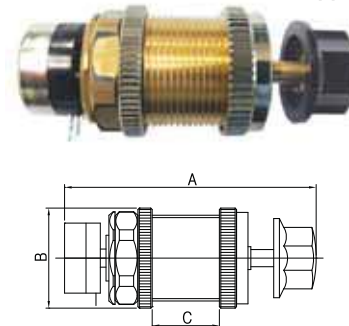
Type of Explosion-Proof : **Flameproof (Ex d IIC)**



Model	Dimension			Max.Rating
SEBP-FCSEM	A	B	C	AC250V 6A
	106	32	23	

### VOLUME SWITCH

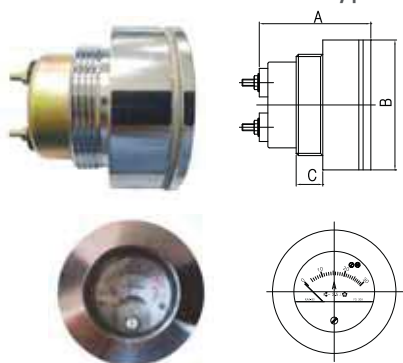
Type of Explosion-Proof : **Flameproof (Ex d IIC)**



Model	Dimension			Max.Rating
SEBP-FCSVL	A	B	C	1Turn 1 ~ 10KΩ 10Turn 1 ~ 10KΩ
	88	34	23	

### AMMETERS

Type of Explosion-Proof : **Flameproof (Ex d IIC)**



Model	MAX. Rating	Dimension		
SEBP-FCSAM	400A	A	B	C
SEBP-FCSFM	600V			
SEBP-FCSRPM	20MA/1,800RPM	64	76	16