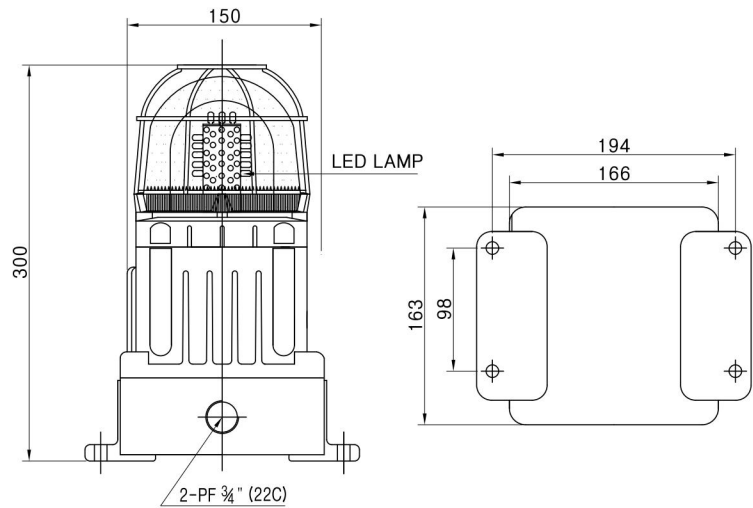


Warning Light

# WLA SERIES

Type of Explosion-Proof  
Flameproof (Ex d IIB+H2 T6)



## Standard Materials

- Body : Cast aluminium alloy
- Cover : Cast aluminium alloy
- Globe : Heat Resistant Hard Glass
- Guard : Stainless Steel
- Bolt & Washer : Stainless Steel

## Technical Data

- Rated Voltage : AC 110V,220V / DC12V,24V
- Product of high-brightness, steady / flashing LED type

## Standard Finish

- MUNSSELL No. 7.5R 3/12
- If you want another color, contact us please.

## Compliance & Certification

- IEC 60079-0,1
- Notification of Ministry of Labor No.2010-36
- Certified by KOSHA  
(Korea Occupational Safety & Health Agency)