

Separated Ballast Type H.I.D Lighting Fixtures

VP SERIES

Degree of of Protection : **Weather Proof-IP55**



Standard Materials

- Enclosure : Die casting aluminium alloy
- Globe : Heat resistant hard glass
- Inner Reflector : High purity aluminium
- Guard : Stainless steel

Standard Finish

- MUNSSELL No. 7.5BG 6/1.5
- If you want another color, contact us please.

Compliance

- KS C IEC 60529, KS C IEC 60598-1
- IP55

Application

VP Series lighting fixture are used

- In manufacturing plants, refineries, chemical, petrochemical and other industrial process facilities, wastewater and sewage treatment plants, offshore, dockside and other harbor installations as well as other heavy industrial applications.
- In industrial areas, both indoor and outdoors where long life and low maintenance costs are desired.

Features

- The lighting fixture has simple construction.
- Relamping is easily done by opening lower half of the guard and unscrewing the globe.
- The body and ballast are constructed separately so as to protect the ballast from the heat of the lamp.

Technical Data

Electrical Ratings	
Rated Voltage	AC110V/220V/240V (*See Below)
Rated Wattage	100W/150W/175W/200W/250W/400w
Rated Frequency	50Hz/60Hz
Entry Size	1/2", 3/4", 1"

Weight

Miunting Type	Catalog No.	Weight
Ceiling Type	SEBP-VPMH2501	9.4kg
Pendant Type	SEBP-VPMH2502	10.1kg

Ordering Number

LAMP	Watt	Ceiling	Pendant	40° Bracket	90° Bracket
High Pressure Sodium	100	SEBP-VPNH-1001	SEBP-VPNH-1002	SEBP-VPNH-1003	SEBP-VPNH-1004
	150	SEBP-VPNH-1501	SEBP-VPNH-1502	SEBP-VPNH-1503	SEBP-VPNH-1504
	200	SEBP-VPNH-2001	SEBP-VPNH-2002	SEBP-VPNH-2003	SEBP-VPNH-2004
	250	SEBP-VPNH-2501	SEBP-VPNH-2502	SEBP-VPNH-2503	SEBP-VPNH-2504
	400	SEBP-VPNH-4001	SEBP-VPNH-4002	SEBP-VPNH-4003	SEBP-VPNH-4004
Metal Halide	150	SEBP-VPMH-1501	SEBP-VPMH-1502	SEBP-VPMH-1503	SEBP-VPMH-1504
	175	SEBP-VPMH-1751	SEBP-VPMH-1752	SEBP-VPMH-1753	SEBP-VPMH-1754
	200	SEBP-VPMH-200	SEBP-VPMH-2002	SEBP-VPMH-2003	SEBP-VPMH-2004
	250	SEBP-VPMH-2501	SEBP-VPMH-2502	SEBP-VPMH-2503	SEBP-VPMH-2504
	350	SEBP-VPMH-3501	SEBP-VPMH-3502	SEBP-VPMH-3503	SEBP-VPMH-3504
	400	SEBP-VPMH-4001	SEBP-VPMH-4002	SEBP-VPMH-4003	SEBP-VPMH-4004
High Pressure Mercury	100	SEBP-VPH-1001	SEBP-VPH-1002	SEBP-VPH-1003	SEBP-VPH-1004
	200	SEBP-VPH-2001	SEBP-VPH-2002	SEBP-VPH-2003	SEBP-VPH-2004
	250	SEBP-VPH-2501	SEBP-VPH-2502	SEBP-VPH-2503	SEBP-VPH-2504
	400	SEBP-VPH-4001	SEBP-VPH-4002	SEBP-VPH-4003	SEBP-VPH-4004

Ordering Information

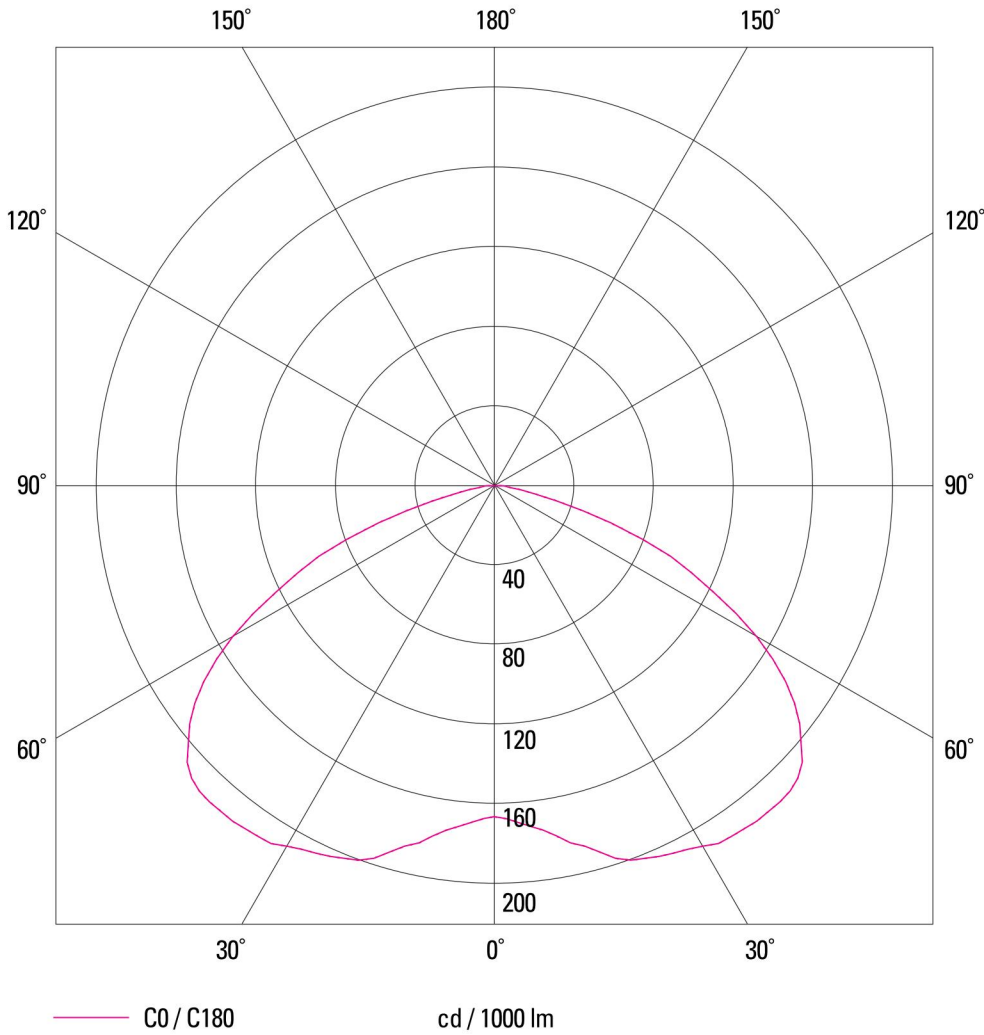
SEBP - VP - MH - 100 - 1



* Entry Size : 1/2" / 3/4" / 1"

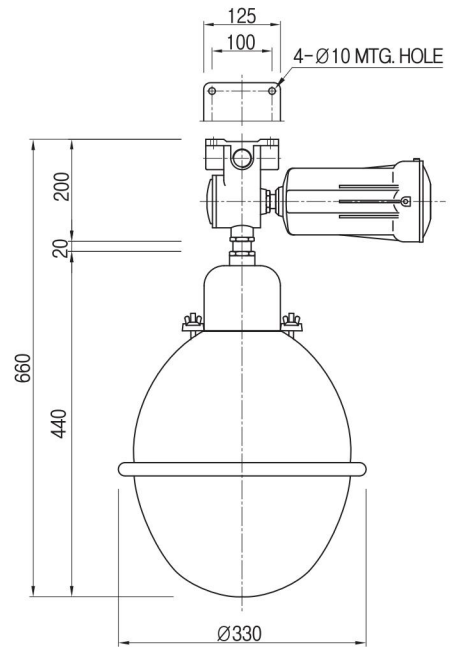
Photometric Data

SEBP-VP-MH-250W

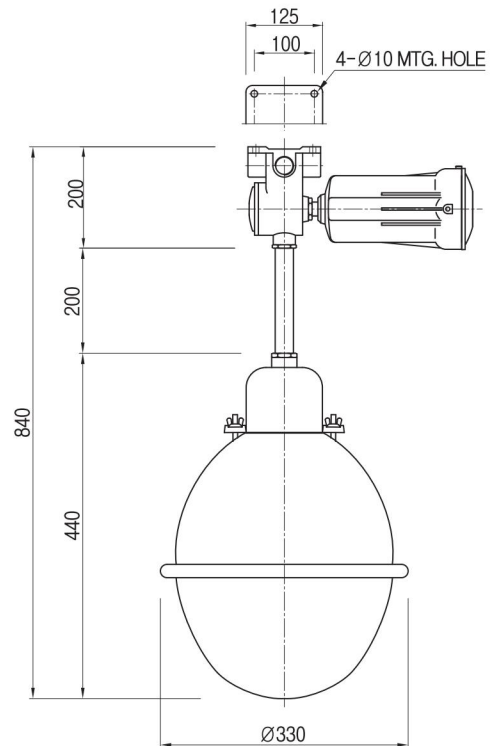


	C0	C90	C180
0°	166	166	166
5°	171	171	171
10°	179	179	179
15°	189	189	189
20°	200	200	200
25°	205	205	205
30°	209	209	209
35°	213	213	213
40°	214	214	214
45°	213	213	213
50°	201	201	201
55°	182	182	182
60°	152	152	152
65°	115	115	115
70°	79	79	79
75°	39	39	39
80°	13	13	13
85°	3	3	3
90°	3	3	3
	cd / 1000 lm		

Dimension

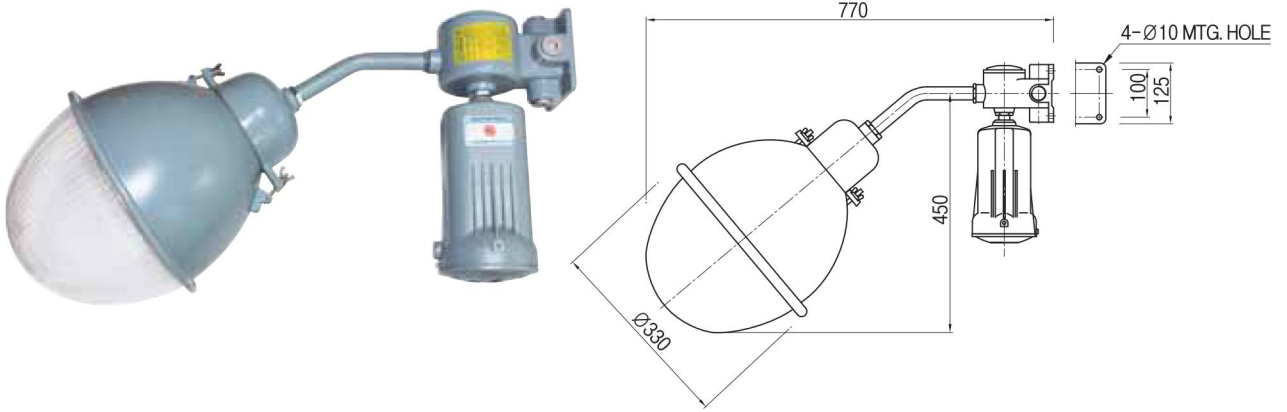


Ceiling Type

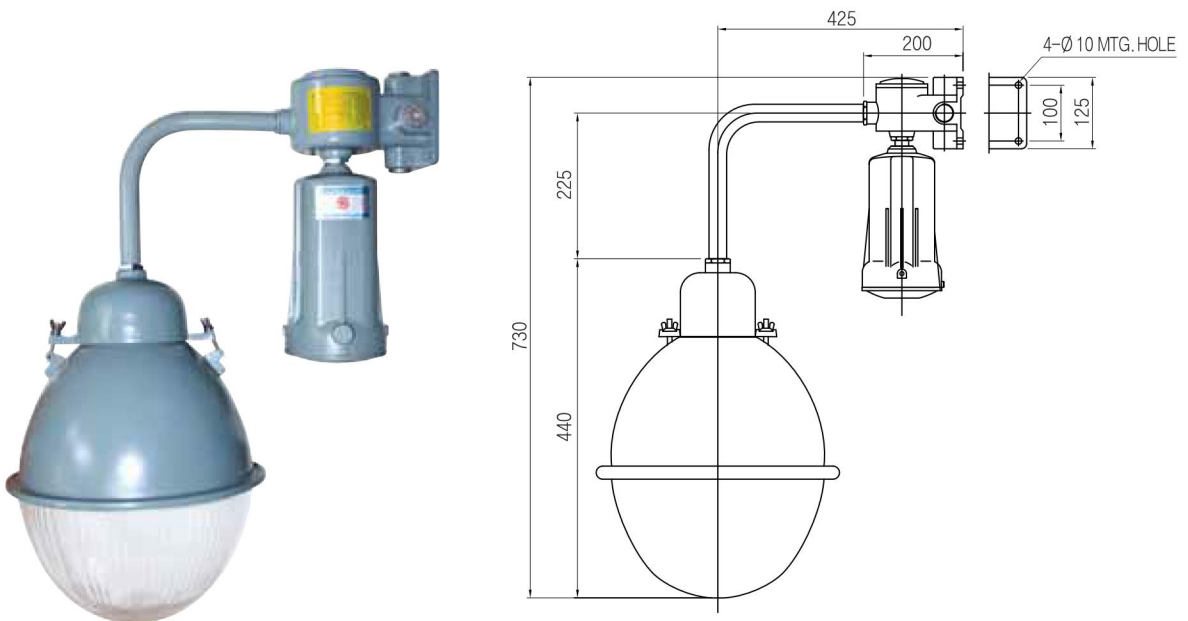


Pendant Type

Dimension



40. Bracket Type



90. Bracket Type