

Integral Ballast Type H.I.D Lighting Fixtures

VJ SERIES

Degree of of Protection : **Weather Proof-IP55**



Standard Materials

- Enclosure : Die casting aluminium alloy
- Globe : Heat resistant hard glass
- Inner Reflector : High purity aluminium
- Guard : Stainless steel

Standard Finish

- MUNSELL No. 7.5BG 6/1.5
- If you want another color, contact us please.

Compliance

- KS C IEC 60529, KS C IEC 60598-1
- IP65

Application

VJ Series lighting fixture are used

- In applications made hazardous by the presence of combustible dusts.
- In areas in which ignitable concentrations of flammable gases or vapors will be present only due to abnormal, unusual, or accidental conditions.
- In marine applications where water spray and corrosive atmospheres are considerations.
- In areas where combustible dusts and flammable vapors are present Electrical Ratings simultaneously.
- In elevated ambient temperatures often found in industrial applications.
- In installations where moisture, dirt, dust, vibration, corrosion and rough usage are problems.
- Wherever the damaging effects of wind, snow, sleet, or hot sun are found Miunting Type Catalog No. Weight.

Features

- Hinged ballast housing for ease of installation and maintenance.
- Superior gasketing seals between the mounting module, housing, and optical assembly for optimum performance in wet and corrosive environments.
- Mogul base porcelain lamp socket.

Technical Data

Electrical Ratings	
Rated Voltage	AC110V/220V/240V (*See Below)
Rated Wattage	100W/150W/175W/200W/250W
Rated Frequency	50Hz/60Hz
Entry Size	1/2", 3/4"

Weight

Mounting Type	Catalog No.	Weight
Ceiling Type	SEBP-VJMH2501	9.2kg
Ceiling Type	SEBP-VJNH2501	5.7kg

*Also you can order various voltage : 110V/120V/208V/220V/240V/277V/460V

Ordering Number

LAMP	Watt	Ceiling	Pendant	40° Bracket	90° Bracket
High Pressure Sodium	100	SEBP-VJNH-1001	SEBP-VJNH-1002	SEBP-VJNH-1003	SEBP-VJNH-1004
	150	SEBP-VJNH-1501	SEBP-VJNH-1502	SEBP-VJNH-1503	SEBP-VJNH-1504
	200	SEBP-VJNH-2001	SEBP-VJNH-2002	SEBP-VJNH-2003	SEBP-VJNH-2004
	250	SEBP-VJNH-2501	SEBP-VJNH-2502	SEBP-VJNH-2503	SEBP-VJNH-2504
Metal Halide	150	SEBP-VJMH-1501	SEBP-VJMH-1502	SEBP-VJMH-1503	SEBP-VJMH-1504
	175	SEBP-VJMH-1751	SEBP-VJMH-1752	SEBP-VJMH-1753	SEBP-VJMH-1754
	200	SEBP-VJMH-2001	SEBP-VJMH-2002	SEBP-VJMH-2003	SEBP-VJMH-2004
	250	SEBP-VJMH-2501	SEBP-VJMH-2502	SEBP-VJMH-2503	SEBP-VJMH-2504
High Pressure Mercury	100	SEBP-VJH-1001	SEBP-VJH-1002	SEBP-VJH-1003	SEBP-VJH-1004
	200	SEBP-VJH-2001	SEBP-VJH-2002	SEBP-VJH-2003	SEBP-VJH-2004
	250	SEBP-VJH-2501	SEBP-VJH-2502	SEBP-VJH-2503	SEBP-VJH-2504

Ordering Information

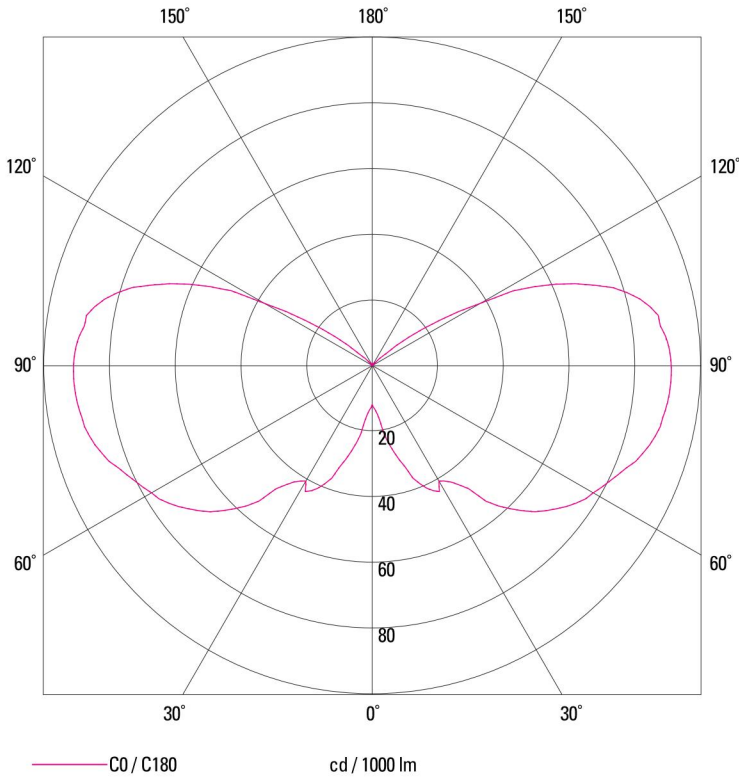
SEBP - VJ - MH - 100 - 1



* Entry Size : 1/2" / 3/4"

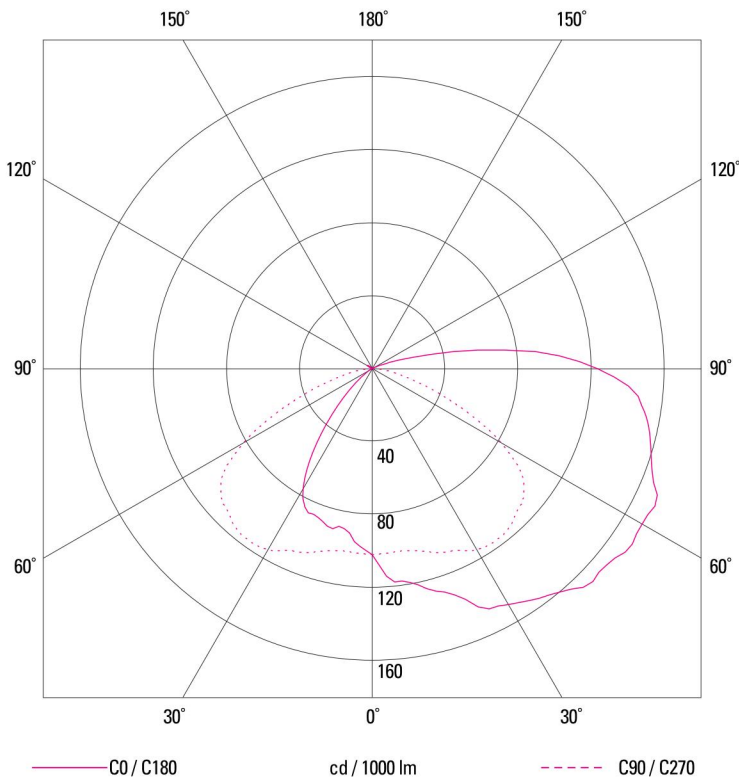
Photometric Data

SEBP-VJ-MH100W



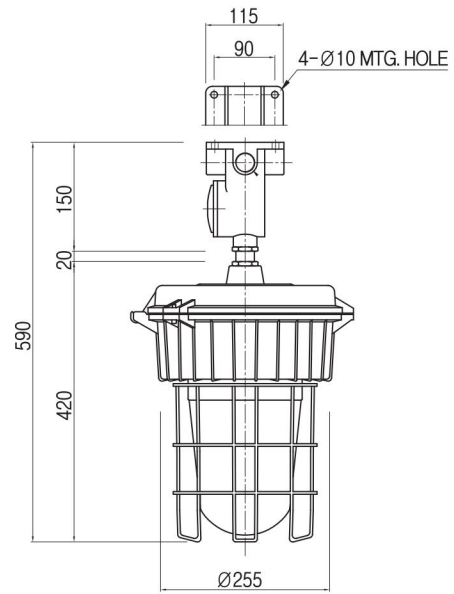
	C0	C90	C180
0°	12	12	12
10°	21	21	21
20°	36	36	36
30°	41	41	41
40°	54	54	54
50°	69	69	69
60°	78	78	78
70°	85	85	85
80°	90	90	90
90°	91	91	91
100°	88	88	88
110°	72	72	72
120°	38	38	38
130°	10	10	10
140°	1	1	1
150°	1	1	1
160°	1	1	1
170°	1	1	1
180°	1	1	1
	cd / 1000 lm		

SEBP-VJ-NH100W WITH ANGLE REFLECTOR

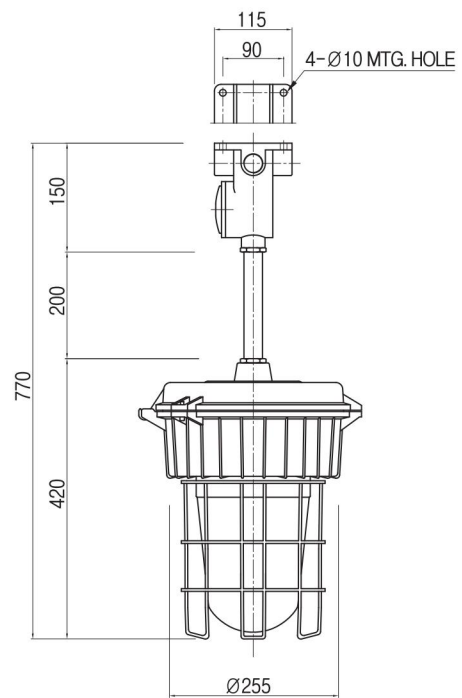


	C0	C90	C180
0°	102	102	102
10°	119	101	89
20°	132	107	87
30°	149	115	76
40°	160	115	38
50°	168	108	12
60°	171	82	0
70°	163	38	0
80°	152	10	0
90°	124	1	0
100°	59	0	0
110°	11	2	0
120°	0	1	3
130°	0	0	2
140°	0	0	0
150°	0	0	0
160°	0	0	0
170°	0	0	0
180°	0	0	0
	cd / 1000 lm		

Dimension

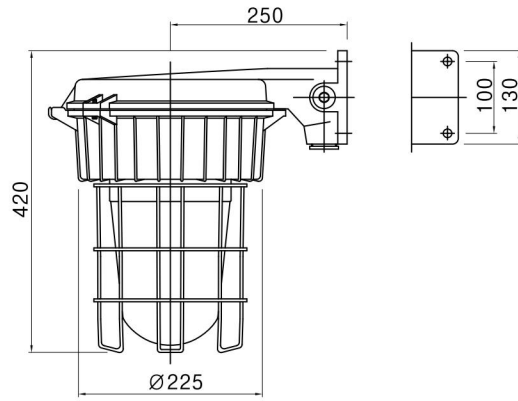


Ceiling Type

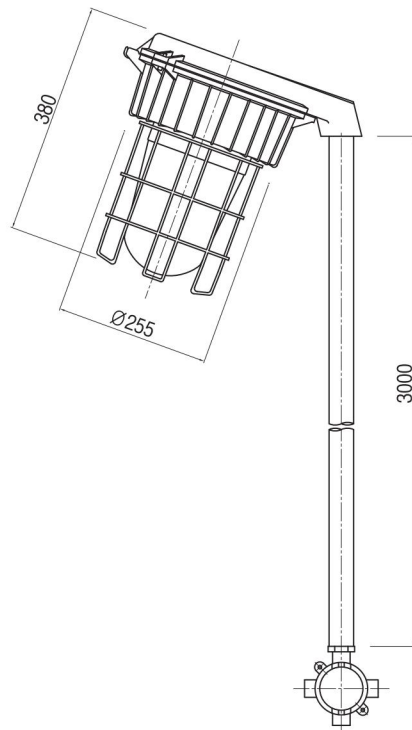


Pendant Type

Dimension



90° Bracket Type



Stanchion Pole Type