

Tunnel lights

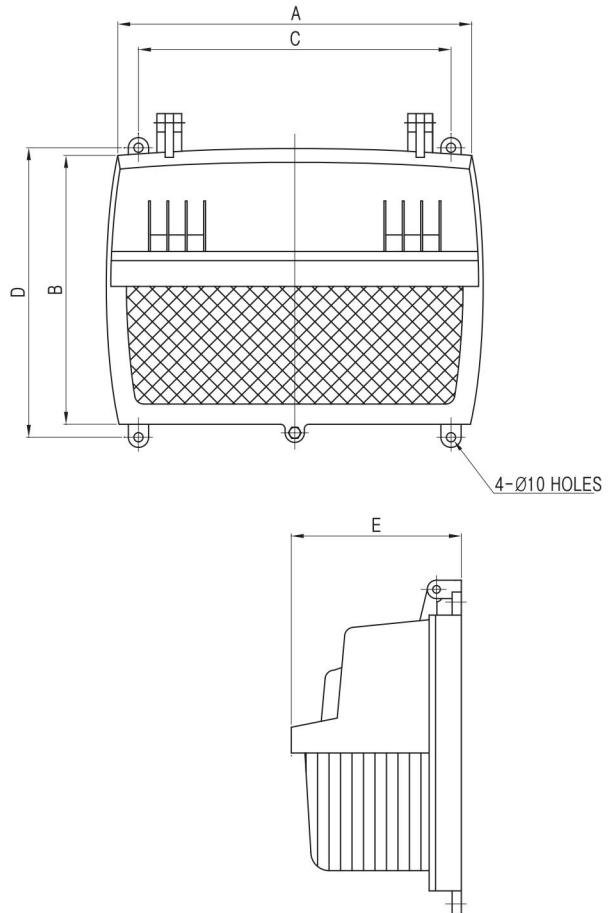
TLB SERIES



SEBP-TLB-S



SEBP-TLB-L



Technical Data

Catalog No.	Watt	Dimension				
		A	B	C	D	E
SEBP-TLB-S	Max.100W	300	270	308	280	165
SEBP-TLB-L	Max.175W	370	285	340	315	190

Application

- Tunnels, underground parking ramp is used as a similar environment is installed in the interior of the wall.

Features

- Formed high-pressure die-casting elegant appearance and durability.
- Lamp can be opened on both sides, easy to install.
- High-strength glass, high transmittance, impact-resisting.

Standard Materials

- Housing : Die Casting Aluminium
- Socket : Porcelain with Mogul Socket E39
- Reflector : Aluminium Plate
- Glass : Heat Resistant Hard Glass.

Standard Finish

- MUNSELL No. 7.5BG 6/1.5
- If you want another color, contact us please.