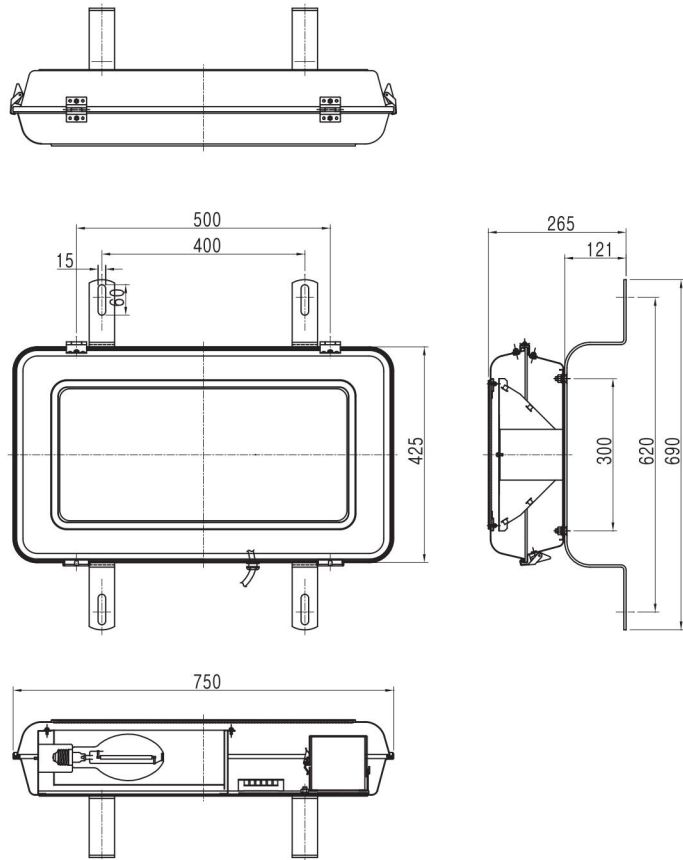


High pressure Stainless Steel Tunnel Lights

# STN SERIES



### Technical Data

Catalog No.	Watt	Lamp
SEBP-STN	Max.400W	MH,NH

### Application

- For tunnels and underpasses

### Features

- Door assembly hinged and latched for no-tool installation and removal.
- Tempered glass lens.
- Luminaire normally shipped with hinges and latches.
- Formed aluminum hammered reflector optimizes beam efficiency and control.
- Protection grade: IP66

### Standard Materials

- Body : Stainless.
- Cover : Stainless.
- Bracket : Steel.
- Socket : Porcelain with Mogul Socket E39
- Reflector : Aluminium (EMBO)
- Latch : Stainless.
- Glass : Heat Resistant Hard Glass

### Standard Finish

- Natural.
- If you want another color, contact us please.