

Separated Ballast Type H.I.D Lighting Fixtures

SPD SERIES

Type of Explosion-proof
Non Sparking (Ex nR II T3)
Dust-ignition proof (Ex tD A22 T200°C IP54)



Standard Materials

- Enclosure : Aluminium sheet
- Globe : Heat resistant hard glass
- Globe Frame : Die casting aluminium alloy
- Mounting Box : Die casting aluminium alloy
- Ballast Box : Die casting aluminium alloy

Standard Finish

- MUNSELL No. 7.5BG 6/1.5
- If you want another color, contact us please.

Compliance & Certification

- IEC 60079-0,15
- Notification of Ministry of Labor No. 2010-36
- Certified by KGS (Korea Gas Safety Corporation)

Application

SPD Series lighting fixture are used

- In heavy process industries having environments where flammable or explosive vapors or gases, or where combustible dusts are present.
- In paint spray booth suitability provides efficient, economical HID lighting for paint spray areas.
- In hazardous areas, both indoors and outdoors where long life and low maintenance costs are desired.
- Where ignitable concentrations of flammable gased, vapors or liquids can exist all of the time or some of the time under normal operation conditions.

Features

- The globe is sealed into the globe frame firmly with silicone rubber gasket, and the globe assembly is fitted to the body by three socket head capative screws.
- The body and ballast are constructed separately so as to protect the ballast from the heat of the lamp.
- Reflector is vacuum coating.

Technical Data

Electrical Ratings	
Rated Voltage	AC110V/220V/240V (*See Below)
Rated Wattage	150W/175W/200W/250W/400W
Rated Frequency	50Hz/60Hz
Entry Size	1/2", 3/4", 1"

Weight

Mounting Type	Catalog No.	Weight
Ceiling Type	SEBP-SPDHL2501	10.5kg
Ceiling Type	SEBP-SPDHL4001	12.0kg

Ordering Number

LAMP	Watt	Ceiling	Pendant	40° Bracket	90° Bracket
High Pressure Sodium	100	SEBP-SPDNL-1001	SEBP-SPDNL-1002	SEBP-SPDNL-1003	SEBP-SPDNL-1004
	150	SEBP-SPDNL-1501	SEBP-SPDNL-1502	SEBP-SPDNL-1503	SEBP-SPDNL-1504
	200	SEBP-SPDNL-2001	SEBP-SPDNL-2002	SEBP-SPDNL-2003	SEBP-SPDNL-2004
	250	SEBP-SPDNL-2501	SEBP-SPDNL-2502	SEBP-SPDNL-2503	SEBP-SPDNL-2504
	400	SEBP-SPDNL-4001	SEBP-SPDNL-4002	SEBP-SPDNL-4003	SEBP-SPDNL-4004
Metal Halide	150	SEBP-SPDHL1501	SEBP-SPDHL-1502	SEBP-SPDHL-1503	SEBP-SPDHL-1504
	175	SEBP-SPDHL-1751	SEBP-SPDHL-1752	SEBP-SPDHL-1753	SEBP-SPDHL-1754
	200	SEBP-SPDHL-2001	SEBP-SPDHL-2002	SEBP-SPDHL-2003	SEBP-SPDHL-2004
	250	SEBP-SPDHL-2501	SEBP-SPDHL-2502	SEBP-SPDH-2503	SEBP-SPDHL-2504
	350	SEBP-SPDHL-3501	SEBP-SPDHL-3502	SEBP-SPDHL-3503	SEBP-SPDHL-3504
	400	SEBP-SPDHL-4001	SEBP-SPDHL-4002	SEBP-SPDHL-4003	SEBP-SPDHL-4004
High Pressure Mercury	100	SEBP-SPDH-1001	SEBP-SPDH-1002	SEBP-SPDH-1003	SEBP-SPDH-1004
	200	SEBP-SPDH-2001	SEBP-SPDH-2002	SEBP-SPDH-2003	SEBP-SPDH-2004
	250	SEBP-SPDH-2501	SEBP-SPDH-2502	SEBP-SPDH-2503	SEBP-SPDH-2504
	400	SEBP-SPDH-4001	SEBP-SPDH-4002	SEBP-SPDH-4003	SEBP-SPDH-4004

Ordering Information

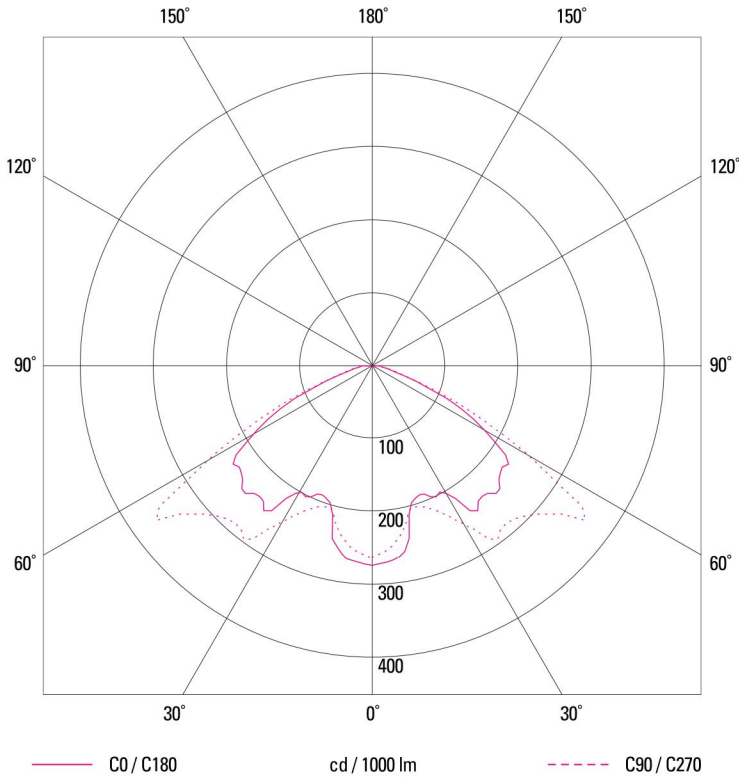
SEBP - SPD - HL - 100 - 1



* Entry Size : 1/2" / 3/4" / 1"

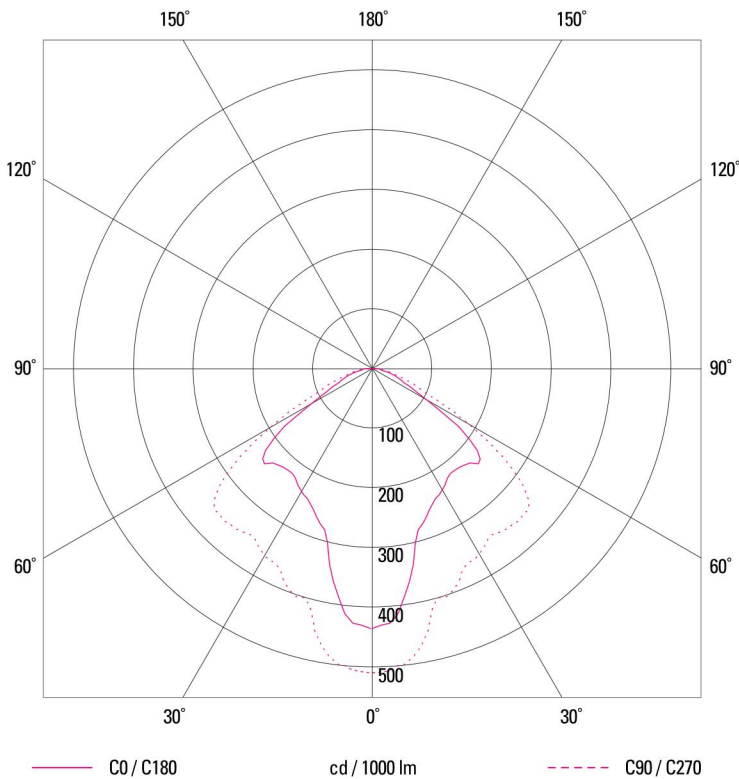
Photometric Data

SEBP-SPD-HL-250W



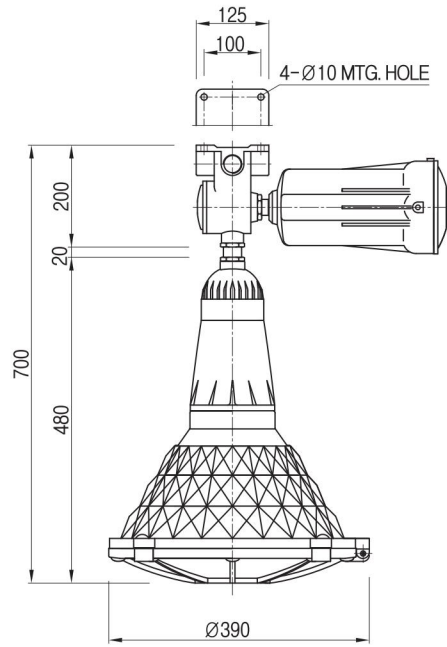
	C0	C90	C180
0°	213	263	213
5°	257	253	188
10°	259	233	170
15°	201	203	158
20°	189	206	176
25°	199	222	181
30°	203	251	195
35°	244	291	222
40°	234	284	219
45°	244	292	218
50°	229	316	235
55°	226	357	191
60°	177	246	105
65°	125	148	59
70°	64	72	32
75°	27	34	15
80°	15	17	7
85°	8	8	4
90°	5	6	4
	cd / 1000 lm		

SEBP-SPD-HL-400W

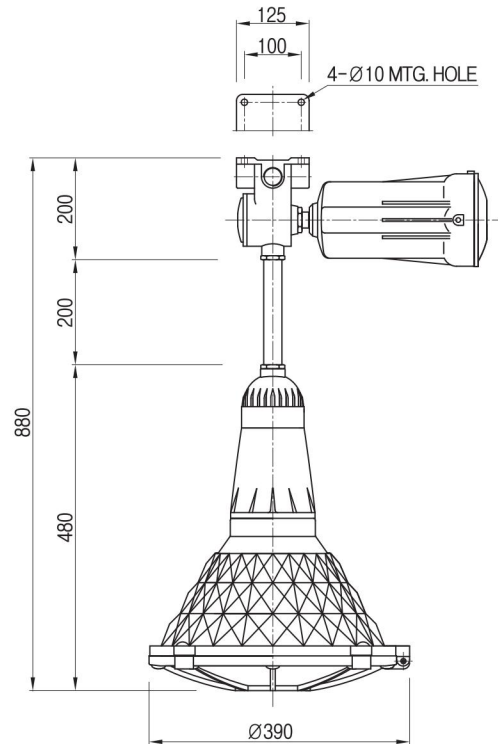


	C0	C90	C180
0°	436	478	436
5°	421	501	373
10°	361	472	315
15°	290	406	266
20°	264	396	252
25°	245	366	251
30°	234	359	255
35°	222	344	250
40°	220	350	274
45°	226	353	281
50°	236	342	250
55°	188	280	180
60°	106	187	99
65°	64	103	71
70°	46	67	46
75°	32	41	26
80°	17	21	15
85°	10	12	8
90°	6	6	6
	cd / 1000 lm		

Dimension

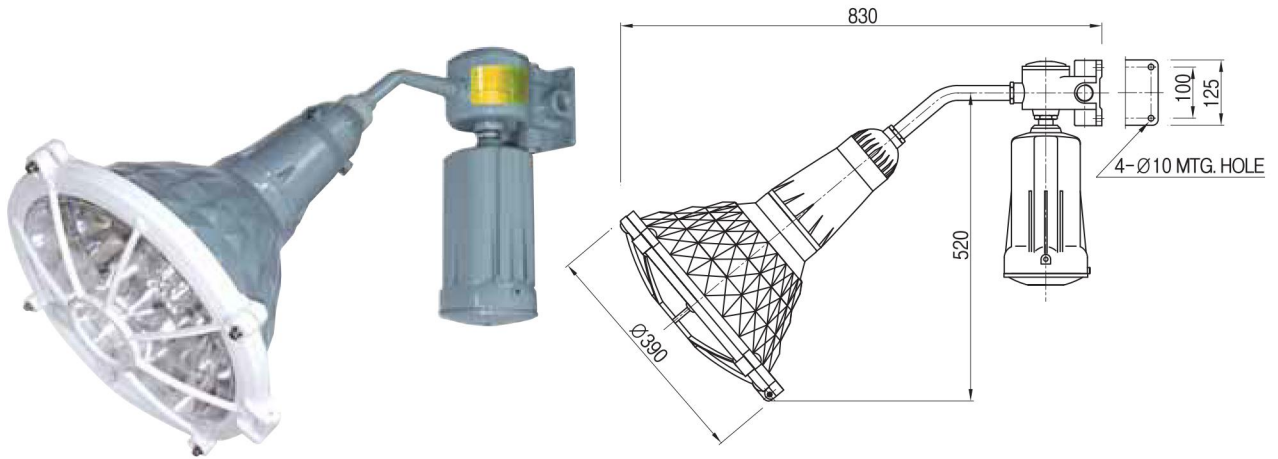


Ceiling Type

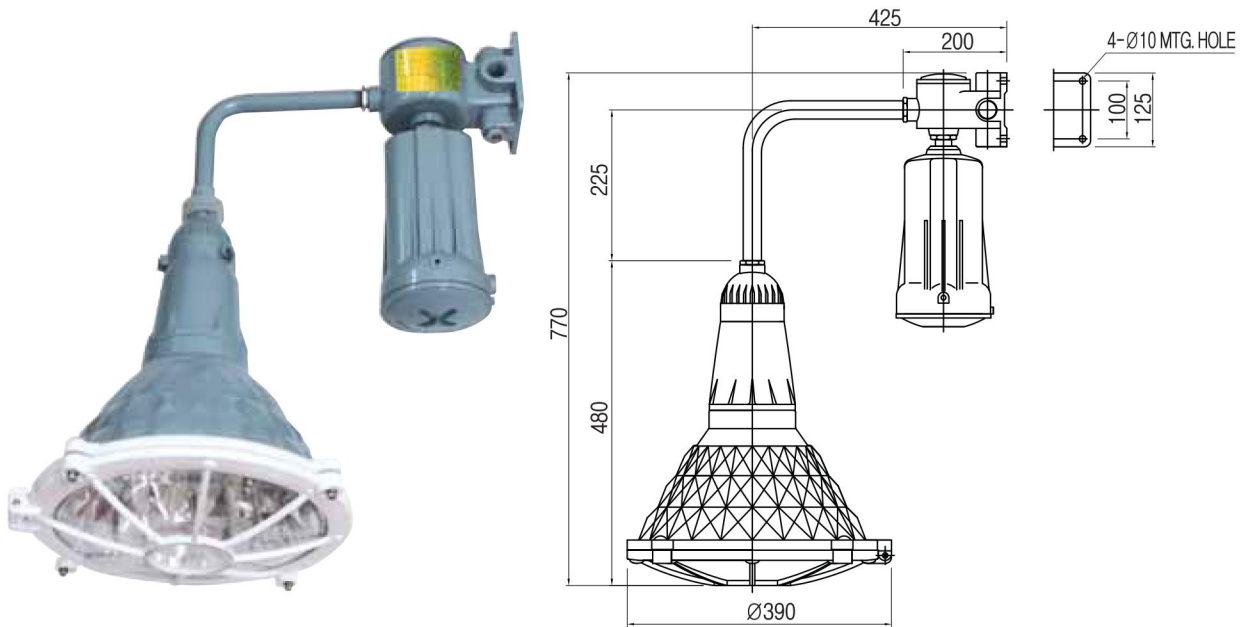


Pendant Type

Dimension



40° Bracket Type



90° Bracket Type