

Separated Ballast Type Induction Lighting Fixtures

SP SERIES

Type of Explosion-proof
Non Sparking (Ex nR II T5 IP54)
Dust-ignition proof (Ex tD A21 T100°C IP54)



Standard Materials

- Enclosure : Aluminium sheet
- Globe : Heat resistant hard glass
- Globe Frame : Die casting aluminium alloy
- Mounting Box : Die casting aluminium alloy
- Ballast Box : Die casting aluminium alloy

Standard Finish

- MUNSELL No. 7.5BG 6/1.5
- If you want another color, contact us please.

Compliance & Certification

- IEC 60079-0,15
- Notification of Ministry of Labor No. 2010-36
- Certified by KGS (Korea Gas Safety Corporation)

Application

- Where an extra long life lamp source (up to 100,000 hours) is required.
- In areas that require lamps to reach full illumination immediately.
- Where cool temperature ratings on the luminaire globe are needed to ensure safe operation in hazardous areas.
- In hard-to-reach applications where relamping is costly.
- Where luminaire maintenance is difficult due to continuous process operation requirements that restrict or prohibit shut down except in emergency situations.
- To provide a cost-effective lighting system (low installed/life cost) by minimizing or even eliminating routine luminaire maintenance.
- In cold environment applications.

Features

- Cold start and re-strike times are faster than metal halide and sodium lamps (**about 0.5 sec.**)
- With excellent color rendering, visual illuminance is higher compared to metal and sodium lamps given the same illuminance ; hence the improved brightness and stability.
- Illuminance does not change even with a 30% voltage fluctuation (no flickering).
- The surface temperature of the lamp is less than 110°C compared to metal and sodium lamps (about 350~400°C)
- Has consistent lumen maintenance over time since operating at lower temperatures as compared to metal halide and sodium lamps.

Technical Data

Electrical Ratings	
Rated Voltage	AC110V/220V/240V (*See Below)
Rated Wattage	55W/60W/70W/80W/85W/100W 120W/135W/150W/165W
Rated Frequency	50Hz/60Hz
Entry Size	1/2", 3/4", 1"

Weight

Mounting Type	Catalog No.	Weight
Ceiling Type	SEBP-SPMX1651	10.0kg

Ordering Number

LAMP	Watt	Ceiling	Pendant	40° Bracket	90° Bracket
Induction Lamp	55	SEBP-SPMX-551	SEBP-SPMX-552	SEBP-SPMX-553	SEBP-SPMX-554
	60	SEBP-SPMX-601	SEBP-SPMX-602	SEBP-SPMX-603	SEBP-SPMX-604
	70	SEBP-SPMX-701	SEBP-SPMX-702	SEBP-SPMX-703	SEBP-SPMX-704
	80	SEBP-SPMX-801	SEBP-SPMX-802	SEBP-SPMX-803	SEBP-SPMX-804
	85	SEBP-SPMX-851	SEBP-SPMX-852	SEBP-SPMX-853	SEBP-SPMX-854
	100	SEBP-SPMX-1001	SEBP-SPMX-1002	SEBP-SPMX-1003	SEBP-SPMX-1004
	120	SEBP-SPMX-1201	SEBP-SPMX-1202	SEBP-SPMX-1203	SEBP-SPMX-1204
	135	SEBP-SPMX-1351	SEBP-SPMX-1352	SEBP-SPMX-1353	SEBP-SPMX-1354
	150	SEBP-SPMX-1501	SEBP-SPMX-1502	SEBP-SPMX-1503	SEBP-SPMX-1504
	165	SEBP-SPMX-1651	SEBP-SPMX-1652	SEBP-SPMX-1653	SEBP-SPMX-1654

Ordering Information

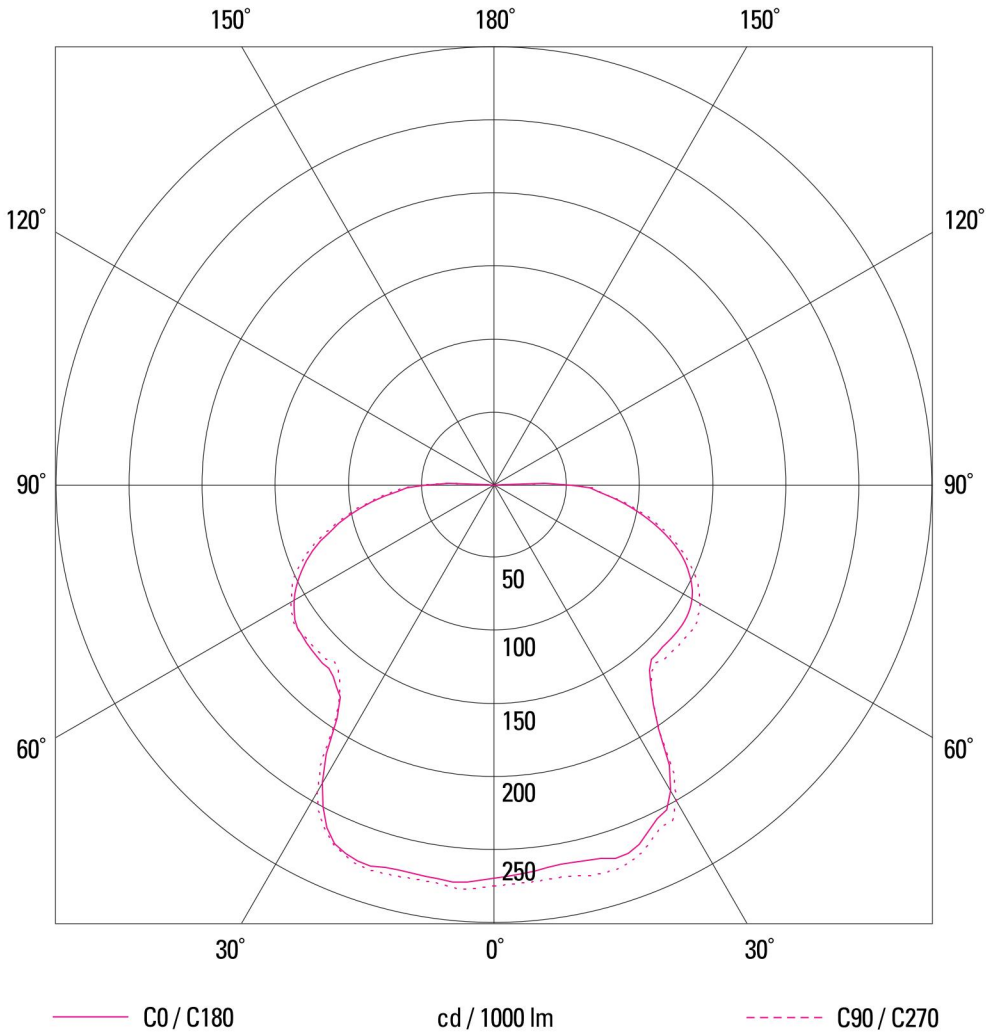
SEBP - SP - MX - 100 - 1



* Entry Size : 1/2" / 3/4" / 1"

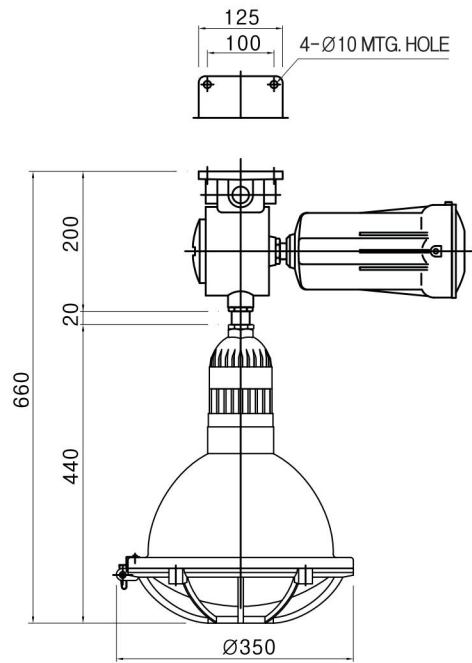
Photometric Data

SEBP-SP-MX-150W

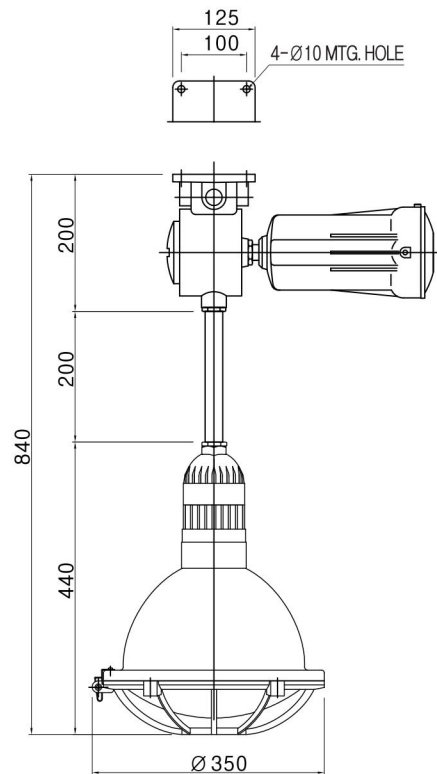


	C0	C90	C180
0°	270	275	270
5°	267	273	273
10°	264	273	272
15°	266	276	272
20°	269	275	274
25°	257	263	266
30°	242	250	235
35°	193	193	186
40°	166	168	172
45°	160	167	170
50°	161	168	168
55°	160	168	166
60°	156	163	158
65°	148	153	147
70°	135	139	132
75°	118	121	113
80°	97	100	94
85°	76	77	71
90°	53	55	48
	cd / 1000 lm		

Dimension

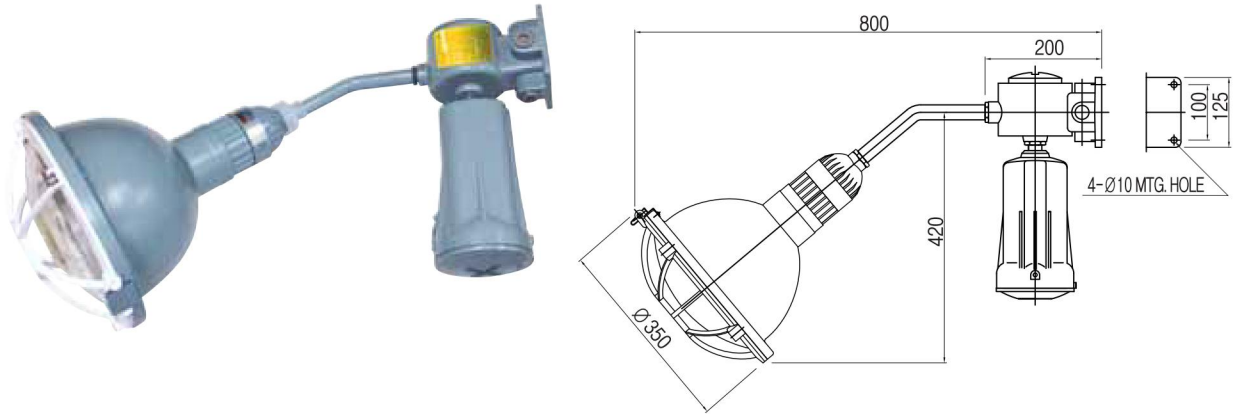


Ceiling Type

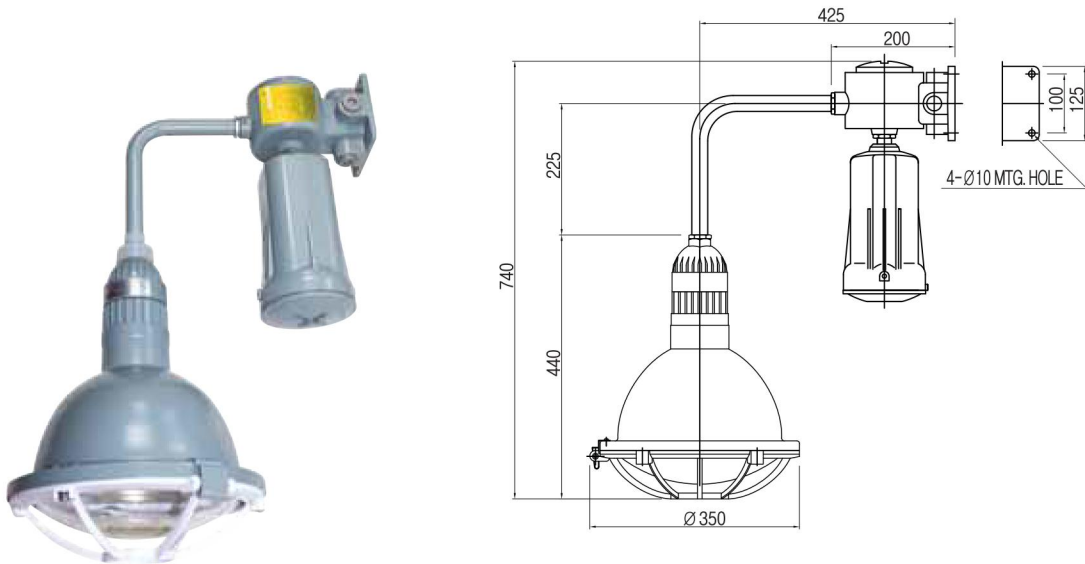


Pendant Type

Dimension



40. Bracke Type



90. Bracke Type