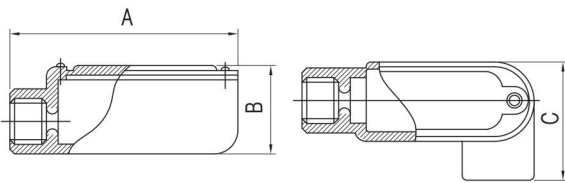


Increase Safety-Proof Elbow and Tee

SL SERIES

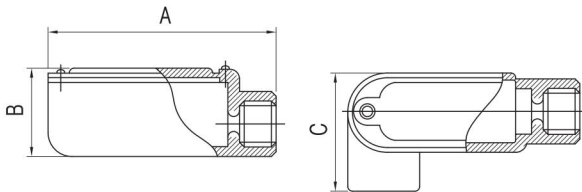
Type of Explosion-Proof
Increased safety proof (Ex e II)

SLL



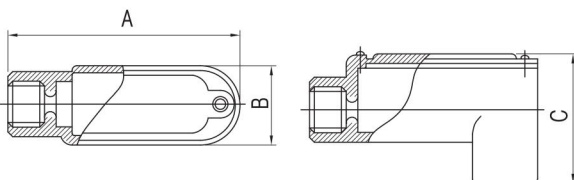
Catalog No.	Thread Size	Dimensions		
		Length (A)	Width (B)	Depth (C)
SEBP-SLL-16	16C (1/2")	123	47	58
SEBP-SLL-22	22C (3/4")	132	52	64
SEBP-SLL-28	28C (1")	161	65	84
SEBP-SLL-36	36C (1-1/4")	170	77	90
SEBP-SLL-42	42C (1-1/2")	190	82	97
SEBP-SLL-54	54C (2")	222	100	110
SEBP-SLL-70	70C (2-1/2")	247	114	130
SEBP-SLL-82	82C (3")	278	128	142
SEBP-SLL-104	104C (4")	305	154	165

SLR



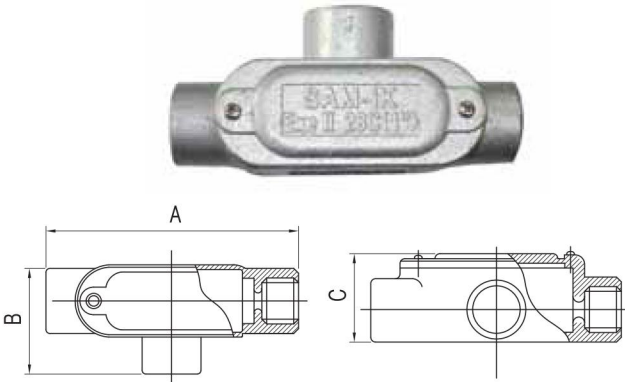
Catalog No.	Thread Size	Dimensions		
		Length (A)	Width (B)	Depth (C)
SEBP-SLR-16	16C (1/2")	123	47	58
SEBP-SLR-22	22C (3/4")	132	52	64
SEBP-SLR-28	28C (1")	161	65	84
SEBP-SLR-36	36C (1-1/4")	170	77	90
SEBP-SLR-42	42C (1-1/2")	190	82	97
SEBP-SLR-54	54C (2")	222	100	110
SEBP-SLR-70	70C (2-1/2")	247	114	130
SEBP-SLR-82	82C (3")	278	128	142
SEBP-SLR-104	104C (4")	305	154	165

SLB



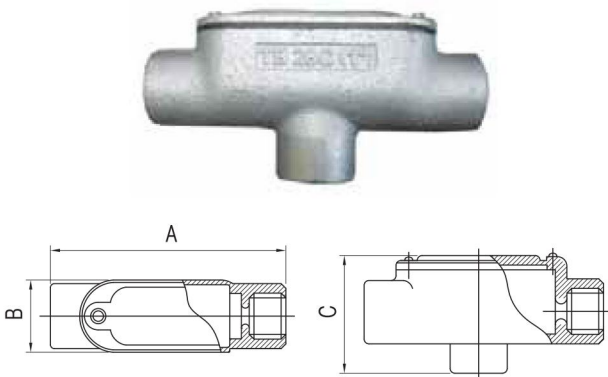
Catalog No.	Thread Size	Dimensions		
		Length (A)	Width (B)	Depth (C)
SEBP-SLB-16	16C (1/2")	123	39	66
SEBP-SLB-22	22C (3/4")	133	43	74
SEBP-SLB-28	28C (1")	160	56	95
SEBP-SLB-36	36C (1-1/4")	170	66	100
SEBP-SLB-42	42C (1-1/2")	190	73	107
SEBP-SLB-54	54C (2")	222	84	123
SEBP-SLB-70	70C (2-1/2")	247	97	146
SEBP-SLB-82	82C (3")	278	110	155
SEBP-SLB-104	104C (4")	305	135	175

SLT



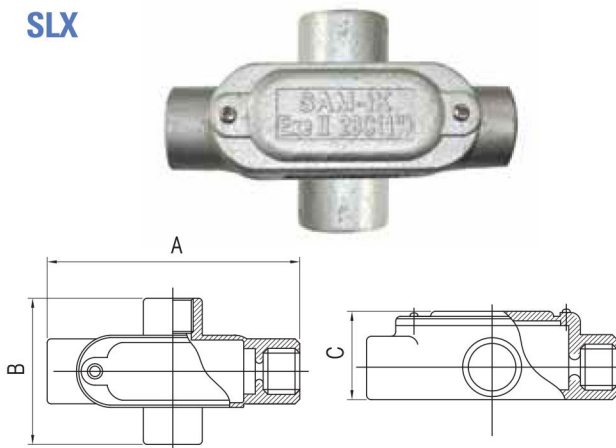
Catalog No.	Thread Size	Dimensions		
		Length (A)	Width (B)	Depth (C)
SEBP-SLT-16	16C (1/2")	142	58	47
SEBP-SLT-22	22C (3/4")	152	64	54
SEBP-SLT-28	28C (1")	184	84	65
SEBP-SLT-36	36C (1-1/4")	196	88	76
SEBP-SLT-42	42C (1-1/2")	214	98	86
SEBP-SLT-54	54C (2")	250	112	100
SEBP-SLT-70	70C (2-1/2")	275	127	114
SEBP-SLT-82	82C (3")	305	137	128
SEBP-SLT-104	104C (4")	330	165	154

STB



Catalog No.	Thread Size	Dimensions		
		Length (A)	Width (B)	Depth (C)
SEBP-STB-16	16C (1/2")	142	67	38
SEBP-STB-22	22C (3/4")	152	74	43
SEBP-STB-28	28C (1")	184	92	56
SEBP-STB-36	36C (1-1/4")	196	100	64
SEBP-STB-42	42C (1-1/2")	214	110	70
SEBP-STB-54	54C (2")	250	122	83
SEBP-STB-70	70C (2-1/2")	275	97	146
SEBP-STB-82	82C (3")	305	110	155
SEBP-STB-104	104C (4")	330	135	175

SLX



Catalog No.	Thread Size	Dimensions		
		Length (A)	Width (B)	Depth (C)
SEBP-SLX-16	16C (1/2")	142	67	38
SEBP-SLX-22	22C (3/4")	152	74	43
SEBP-SLX-28	28C (1")	184	92	56
SEBP-SLX-36	36C (1-1/4")	196	100	64
SEBP-SLX-42	42C (1-1/2")	214	110	70
SEBP-SLX-54	54C (2")	250	122	83
SEBP-SLX-70	70C (2-1/2")	275	97	146
SEBP-SLX-82	82C (3")	305	110	155
SEBP-SLX-104	104C (4")	330	135	175

Standard Materials

- Body : Cast iron
- Cover : Cast Iron
- Gasket : Neoprene

Standard Finish

- Hot Dip. Galvanized with stove enamelled silver white

Compliance & Certification

- Notification of Ministry of Labor No. 2010-36
- Certified by KOSHA (Korea Occupational Safety & Health Agency)