

Fluorescent Lighting Fixtures

RORFL SERIES

Type of Explosion-proof : **Non Sparking (Ex nA II T6)**

Application

RORFL Series Fluorescent Lighting fixtures are used

- In heavy process industries having environments where flammable or explosive vapors or gases are present.
- In hazardous areas, both indoors and outdoors where long life and low maintenance costs are desired.
- In petroleum refineries, chemical, petrochemical and other heavy process industry facilities.
- Where ignitable concentrations of flammable gases, vapors or liquids can exist all of the time or some of the time under normal operation conditions.

Features

- The lighting fixture consist of the main body and the inside reflector, both made of welded sheet steel, and 1-6 lamp cover assemblies.
- With the electronic ballast or Inductive ballast to be high power factor, and integral emergency light.

Standard Materials

- Enclosure : Sheet steel
- Inner Reflector : High purity aluminium
- Glass : Heat resistant hard glass

Standard Finish

- MUNSELL No. 7.5BG 6/1.5
- If you want another color, contact us please.

Compliance & Certification

- IEC 60079-0,15
- Notification of Ministry of Labor No. 2010-36
- Certified by KGS (Korea Gas Safety Corporation)

Technical Data

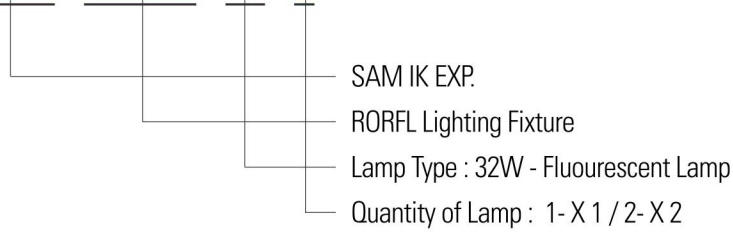
Electrical Ratings	
Rated Voltage	AC110V/220V/240V (*See Below)
Rated Wattage	32W*1 / 32W*2 / 32W*3 / 32W*4 / 32W*5 / 32W*6
Rated Frequency	50Hz/60Hz
Entry Size	1/2", 3/4"

Ordering Number

LAMP	Watt	Catalog No.	Weigh
Fluorescent Lamp	32W X 1	SEBP-RORFL321	22.5kg
	32W X 2	SEBP-RORFL322	
	32W X 3	SEBP-RORFL323	
	32W X 4	SEBP-RORFL324	28.0kg
	32W X 5	SEBP-RORFL325	
	32W X 6	SEBP-RORFL326	

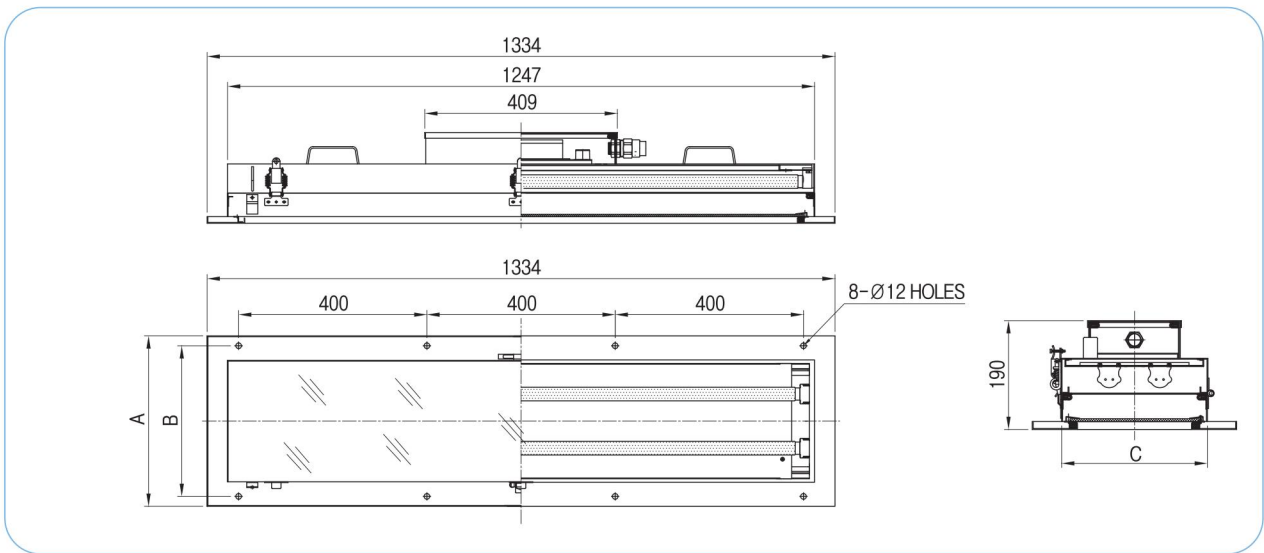
Ordering Information

SEBP - RORFL - 32 - 1



* Entry Size : 1/2" / 3/4"

Dimension



Catalog No.	Watt	Dimesion		
		A	B	C
SEBP-RORFL-321	32W x 1	360	320	260
SEBP-RORFL-322	32W x 2	360	320	260
SEBP-RORFL-323	32W x 3	460	420	360
SEBP-RORFL-324	32W x 4	460	420	360
SEBP-RORFL-325	36W x 5	590	590	485
SEBP-RORFL-326	36W x 6	590	590	485