

Compact Fluorescent Lighting Fixtures

PCL SERIES

Type of Explosion-Proof
Non Sparking (Ex nR II T6 IP65)



Standard Materials

- Enclosure : Fiber glass reinforced polyester resin
- Globe : Fiber glass reinforced polyester resin
- Inner Reflector : High purity aluminium



Standard Finish

- MUNSELL No. 7.5BG 6/1.5
- If you want another color, contact us please.



Compliance & Certification

- IEC 60079-0,15
- Notification of Ministry of Labor No. 2010-36
- Certified by KGS (Korea Gas Safety Corporation)



Application

PCL Designed specifically for corrosive environments

Typical applications include manufacturing plants, chemical and petrochemical processing facilities, sewage treatment, off-shore and dock side installations, agricultural, commercial / industrial, mining and marine facilities.



Features

- Non-metallic light fixtures combine an outstanding balance of strength, stiffness, toughness and electrical properties.
- Molded from 30% glass-filled thermo-plastic polyester for high strength.
- Resists corrosive effects of most chemicals, hydrocarbons and solvents.

Technical Data

Electrical Ratings	
Rated Voltage	AC110V/220V/240V (*See Below)
Rated Wattage	45W/55W
Rated Frequency	50Hz/60Hz
Entry Size	1/2", 3/4"

Weight

Mounting Type	Catalog No.	Weight
Ceiling Type	SEBP-PCL551	2.5kg

Ordering Number

LAMP	Watt	Ceiling	Pendant	40° Bracket	90° Bracket
Compact Fluorescent Lamp	45	SEBP-PCLEL-45-1	SEBP-PCLEL-45-2	SEBP-PCLEL-45-3	SEBP--PCLEL-45-4
	55	SEBP-PCLEL-55-1	SEBP-PCLEL-55-2	SEBP-PCLEL-55-3	SEBP--PCLEL-55-4

Ordering Information

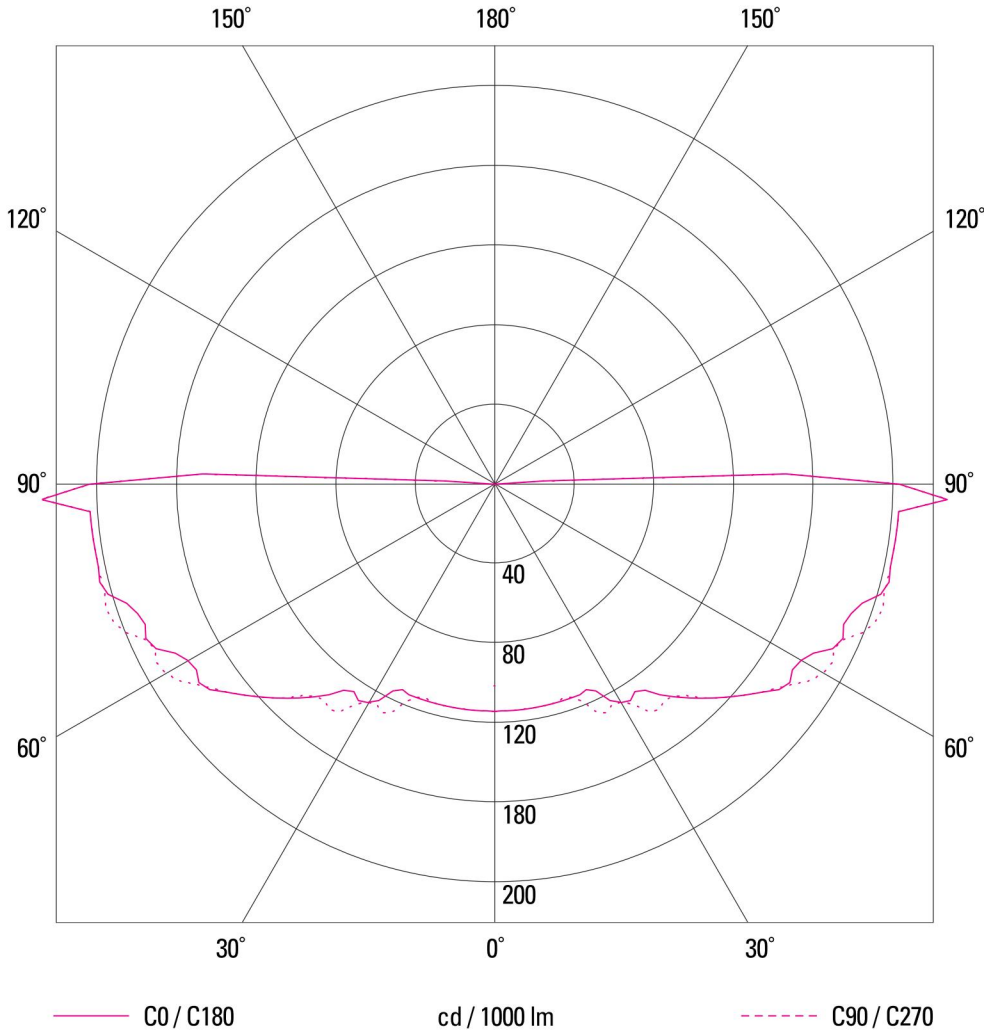
SEBP - PCL - EL - 55 - 1



* Entry Size : 1/2" / 3/4"

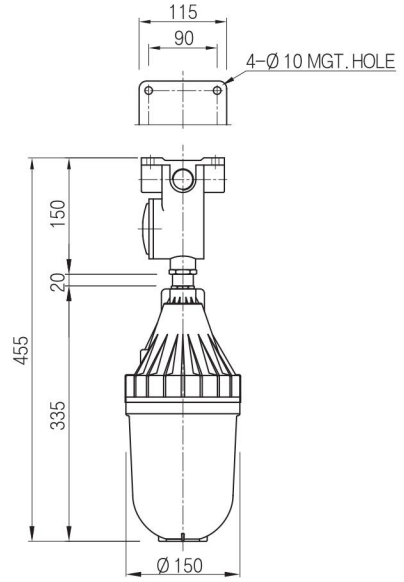
Photometric Data

SEBP-PCL-EL-55W

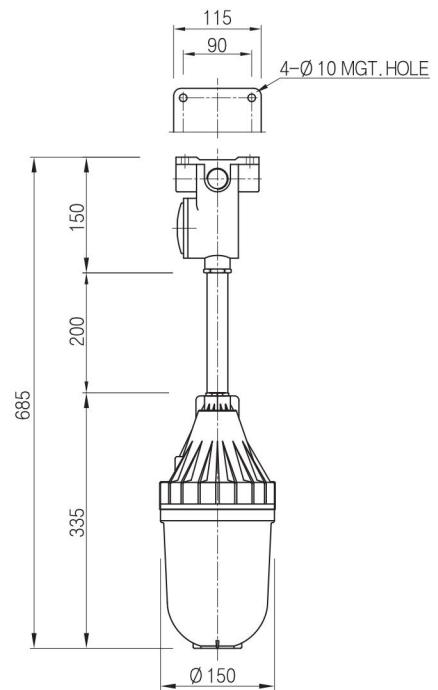


	C0	C90	C180
0°	114	114	102
5°	114	114	102
10°	114	114	102
15°	114	114	114
20°	114	114	114
25°	114	127	114
30°	127	127	114
35°	127	140	127
40°	140	140	127
45°	152	152	140
50°	165	165	152
55°	178	178	152
60°	178	190	165
65°	190	190	165
70°	190	203	178
75°	203	203	178
80°	203	203	178
85°	203	203	178
90°	203	203	178
	cd / 1000 lm		

Dimension

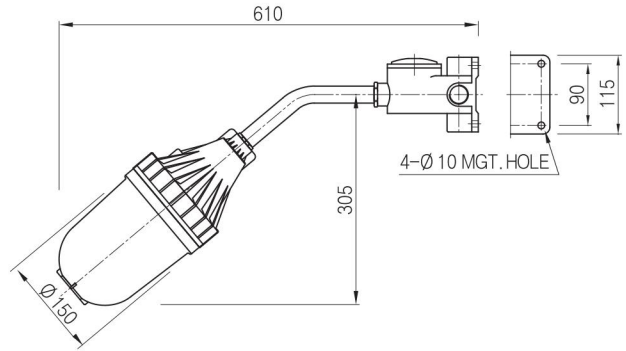


Ceiling Type

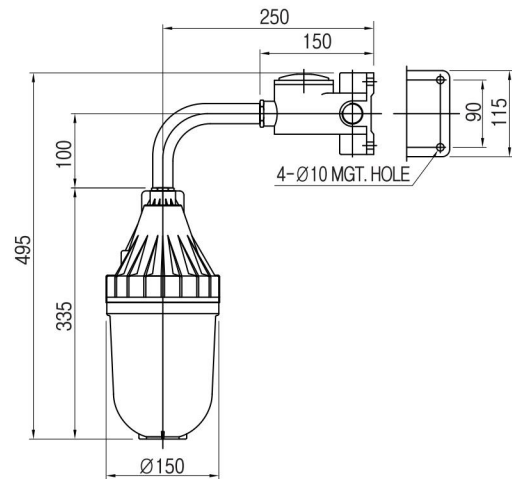


Pendant Type

Dimension



40. Bracket Type



90. Bracket Type