

Integral Ballast Type Induction Lighting Fixtures

IMX SERIES

Type of Explosion-proof
Flameproof (Ex d IIC T5 IP66)
Dust-ignition proof (Ex tD A21 T100°C IP65)



Standard Materials

- Enclosure : Die casting aluminium alloy
- Globe : Heat resistant hard glass
- Inner Reflector : High purity aluminium
- Guard : Stainless steel

Standard Finish

- MUNSELL No. 7.5BG 6/1.5
- If you want another color, contact us please.

Compliance & Certification

- IEC 60079-0,1
- Notification of Ministry of Labor No. 2010-36
- Certified by KOSHA
 (Korea Occupational Safety & Health Agency)

Application

IMX Series lighting fixture are used

- Where an extra long life lamp source (up to 100,000 hours) is required.
- In areas that require lamps to reach full illumination immediately.
- Where cool temperature ratings on the luminaire globe are needed to ensure safe operation in hazardous areas.
- In hard-to-reach applications where relamping is costly.
- Where luminaire maintenance is difficult due to continuous process operation requirements that restrict or prohibit shut down except in emergency situations.
- To provide a cost-effective lighting system (low installed/life cost) by minimizing or even eliminating routine luminaire maintenance.
- In cold environment applications.

Features

- Cold start and re-strike times are faster than metal halide and sodium lamps (about 0.5 sec.)
- With excellent color rendering, visual illuminance is higher compared to metal and sodium lamps given the same illuminance ; hence the improved brightness and stability.
- Illuminance does not change even with a 30% voltage fluctuation (no flickering).
- The surface temperature of the lamp is less than 110°C compared to metal and sodium lamps (about 350~400°C)
- Has consistent lumen maintenance over time since operating at lower temperatures as compared to metal halide and sodium lamps.

Technical Data

Electrical Ratings	
Rated Voltage	AC110V/220V/240V (*See Below)
Rated Wattage	55W/60W/70W/80W/85W/100W 120W/135W/150W/165W
Rated Frequency	50Hz/60Hz
Entry Size	1/2", 3/4", 1"

Weight

Mounting Type	Catalog No.	Weight
Ceiling Type	SEBP-IMX1001	10.5kg

Ordering Number

LAMP	Watt	Ceiling	Pendant	40° Bracket	90° Bracket
Induction Lamp	55	SEBP-IMX-551	SEBP-IMX-552	SEBP-IMX-553	SEBP-IMX-554
	60	SEBP-IMX-601	SEBP-IMX-602	SEBP-IMX-603	SEBP-IMX-604
	70	SEBP-IMX-701	SEBP-IMX-702	SEBP-IMX-703	SEBP-IMX-704
	80	SEBP-IMX-801	SEBP-IMX-802	SEBP-IMX-803	SEBP-IMX-804
	85	SEBP-IMX-851	SEBP-IMX-852	SEBP-IMX-853	SEBP-IMX-854
	100	SEBP-IMX-1001	SEBP-IMX-1002	SEBP-IMX-1003	SEBP-IMX-1004
	120	SEBP-IMX-1201	SEBP-IMX-1202	SEBP-IMX-1203	SEBP-IMX-1204
	135	SEBP-IMX-1351	SEBP-IMX-1352	SEBP-IMX-1353	SEBP-IMX-1354
	150	SEBP-IMX-1501	SEBP-IMX-1502	SEBP-IMX-1503	SEBP-IMX-1504
	165	SEBP-IMX-1651	SEBP-IMX-1652	SEBP-IMX-1653	SEBP-IMX-1654

Ordering Information

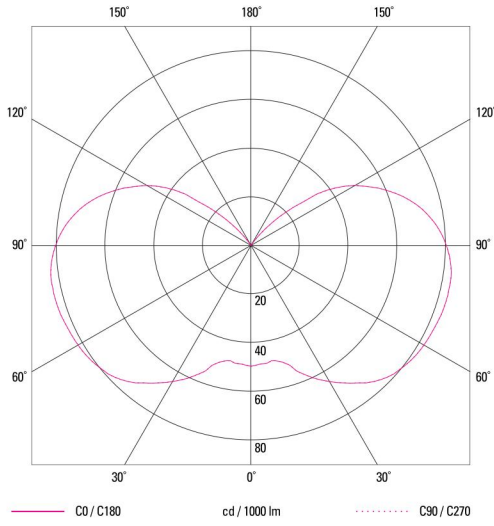
SEBP - I - MX - 100 - 1



* Entry Size : 1/2" / 3/4" / 1"

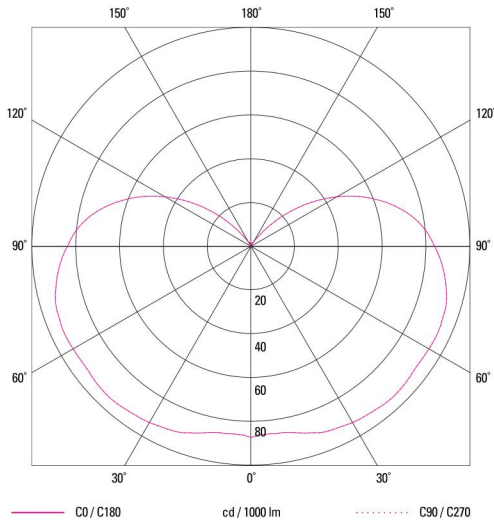
Photometric Data

SEBP-IMX-55W GLOBE AND GUARD



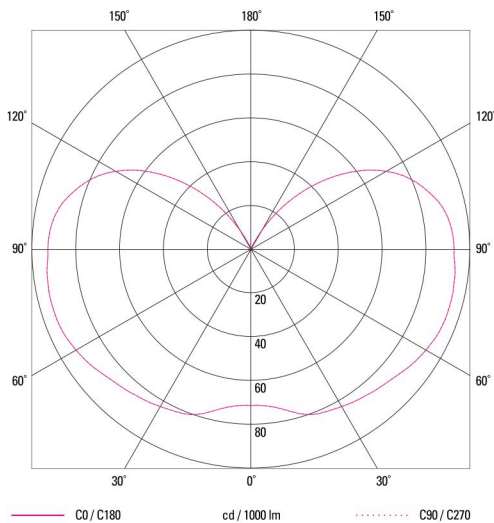
	C0	C90	C180
0°	50	50	50
10°	48	48	48
20°	55	55	55
30°	65	65	65
40°	74	74	74
50°	80	80	80
60°	82	82	82
70°	83	83	83
80°	83	83	83
90°	80	80	80
100°	74	74	74
110°	63	63	63
120°	49	49	49
130°	28	28	28
140°	7	7	7
150°	1	1	1
160°	0	0	0
170°	0	0	0
180°	0	0	0
	cd / 1000 lm		

SEBP-IMX-85W GLOBE AND GUARD



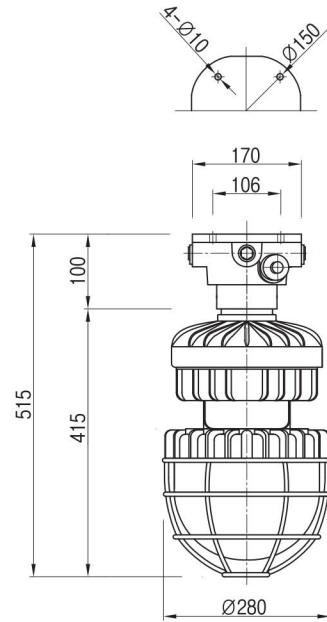
	C0	C90	C180
0°	75	75	75
10°	72	72	72
20°	70	70	70
30°	75	75	75
40°	87	87	87
50°	94	94	94
60°	97	97	97
70°	95	95	95
80°	92	92	92
90°	83	83	83
100°	76	76	76
110°	60	60	60
120°	40	40	40
130°	20	20	20
140°	4	4	4
150°	0	0	0
160°	0	0	0
170°	0	0	0
180°	0	0	0
	cd / 1000 lm		

SEBP-IMX-165W GLOBE ONLY

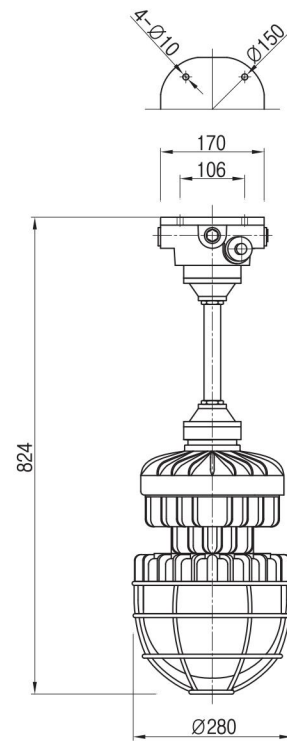


	C0	C90	C180
0°	59	59	59
10°	58	58	58
20°	57	57	57
30°	61	61	61
40°	69	69	69
50°	75	75	75
60°	82	82	82
70°	87	87	87
80°	89	89	89
90°	85	85	85
100°	82	82	82
110°	72	72	72
120°	55	55	55
130°	35	35	35
140°	15	15	15
150°	2	2	2
160°	0	0	0
170°	0	0	0
180°	0	0	0
	cd / 1000 lm		

Dimension

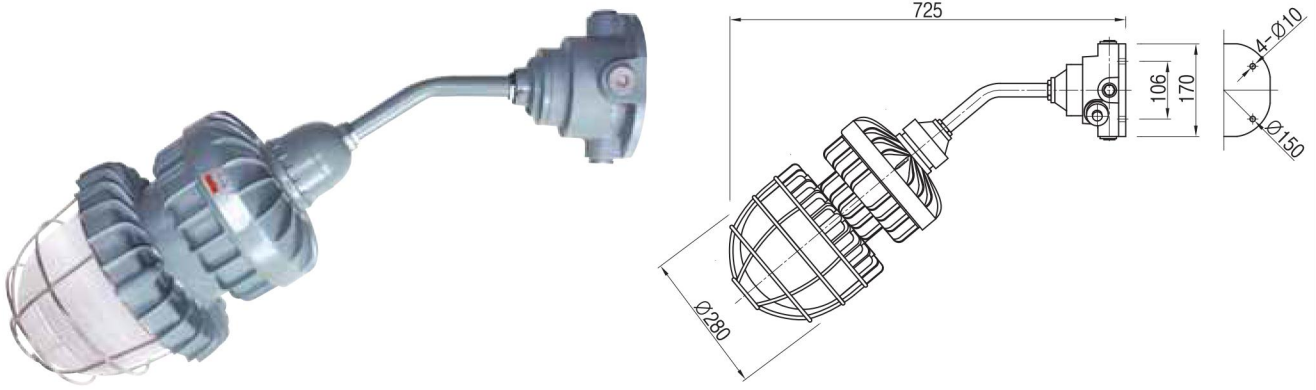


Ceiling Type

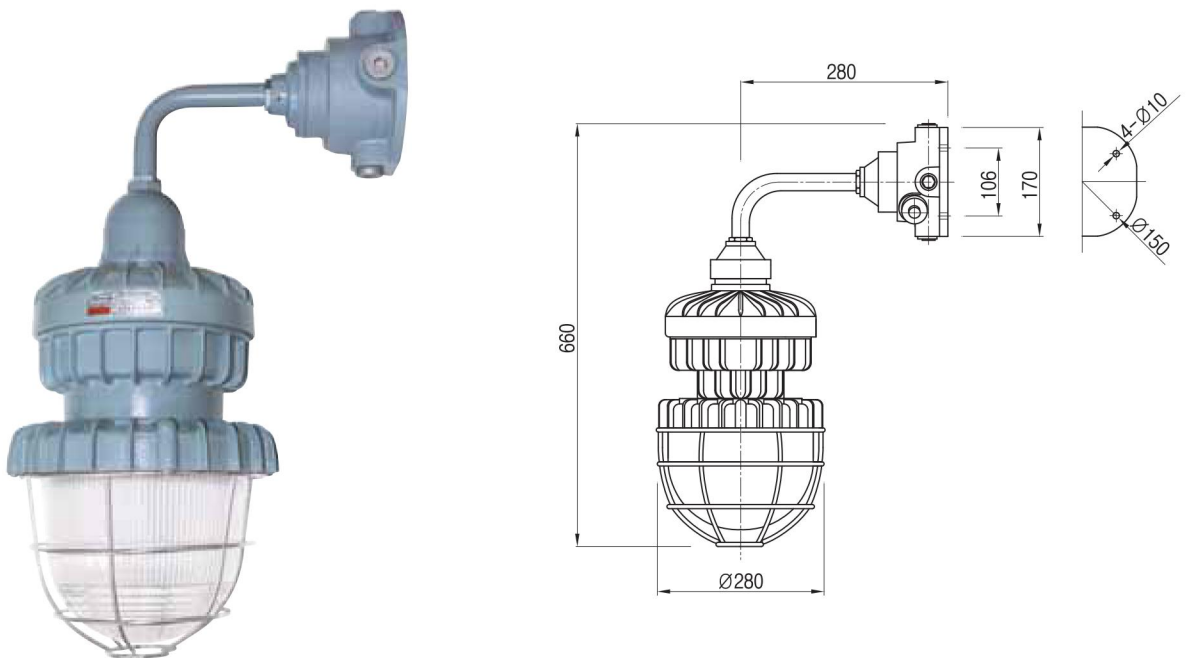


Pendant Type

Dimension



40° Bracket Type



90° Bracket Type