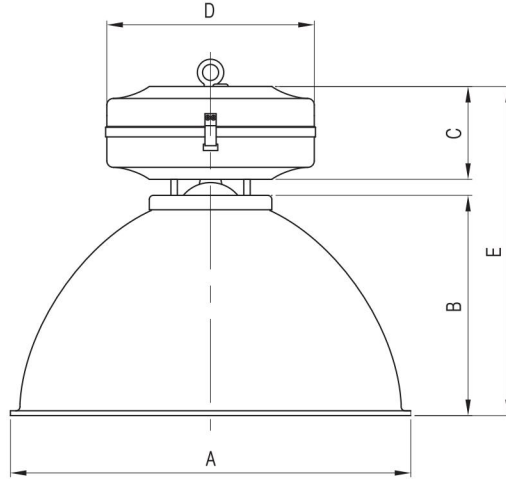


Induction Flood Light

HMX SERIES



Technical Data

Catalog No.	Watt	Dimension				
		A	B	C	D	E
SEBP-HMX	Max.200W	500	275	116	260	410

Application

- Medium and large factories, large showrooms, steel, refining, power plants, shipyards, etc. are used for lighting apparatus.
- Ski resorts, golf courses, athletic fields, etc. are used in the place you need high intensity.

Features

- Long lifespan : Saves on Maintenance cos/Expenses
- Lifespan : 100,000 hours (within 50% of initial lumens)
- valid Lifespan : 60,000 hours (within 70% of initial lumens)
- Energy Saving : 30~50% less every consumption compare with convertional discharge lamp
- Natural light that comes from true colors : Triangular fluorescent material generating over 80Ra
- Fast Re-strike Time : Less than 0.5 sec lighting and re-striking time
- Free eye fatigue : Minimal eye fatigue due to no flickering

Standard Materials

- Socket Housing : Die Casting Aluminium
- Socket : Porcelain with Mogul Socket E39
- Inner Reflector : 95% Total Reflection 12 Angle Type Anodised Aluminium Oxide Reflector
- Lens : Tempered Glass 3T

Standard Finish

- MUNSELL No. 7.5BG 6/1.5
- If you want another color, contact us please.