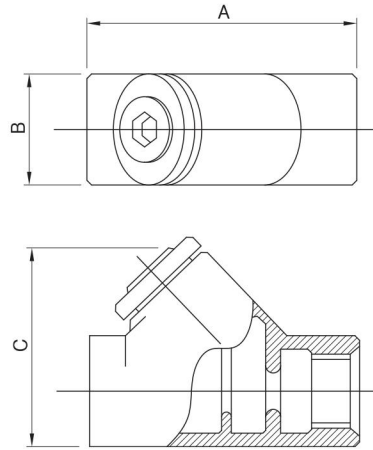


Flame-Proof Sealing Fitting

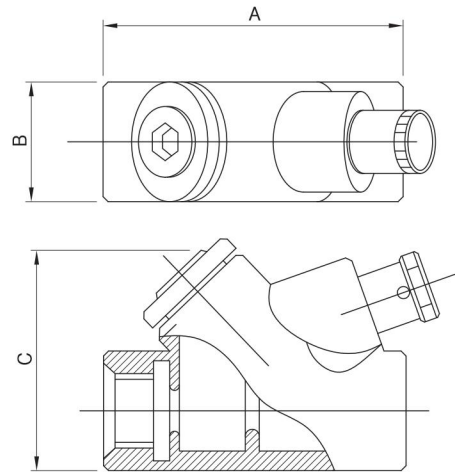
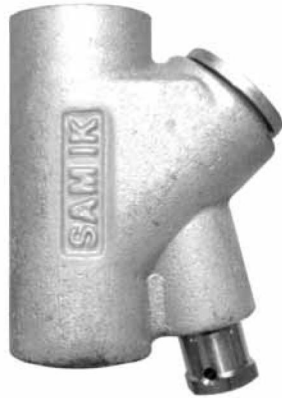
FV, FH SERIES

Type of Explosion-Proof
Flameproof (Ex d IIC)

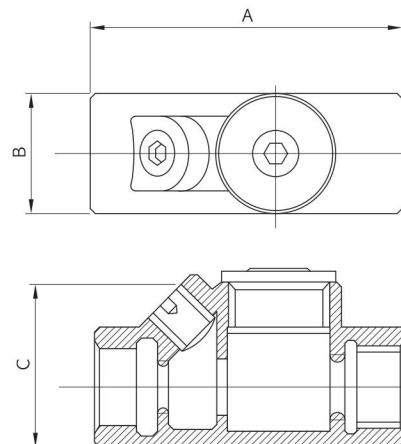
FV Vertical Type Sealing Fitting



FV-D



FH



Standard Materials

- **Body** : Cast iron or Die Casting aluminium alloy
- **Plug** : Die casting aluminium alloy
- **O-ring** : Silicone Rubber

Standard Finish

- Hot Dip. Galvanized with stove enamelled silver white

Compliance & Certification

- Notification of Ministry of Labor No. 2010-36
- Certified by KOSHA
(Korea Occupational Safety & Health Agency)

FV Data

Catalog No.	Thread Size	Dimensions		
		Length (A)	Width (B)	Depth (C)
SEBP-FV-16	16C (1/2")	82	32	60
SEBP-FV-22	22C (3/4")	98	38	70
SEBP-FV-28	28C (1")	105	45	82
SEBP-FV-36	36C (1-1/4")	126	56	102
SEBP-FV-42	42C (1-1/2")	143	62	115
SEBP-FV-54	54C (2")	161	76	135
SEBP-FV-70	70C (2-1/2")	185	93	153
SEBP-FV-82	82C (3")	205	108	185
SEBP-FV-104	104C (4")	231	135	207

FV-D Data

Catalog No.	Thread Size	Dimensions		
		Length (A)	Width (B)	Depth (C)
SEBP-FV-D-16	16C (1/2")	82	32	60
SEBP-FV-D-22	22C (3/4")	98	38	70
SEBP-FV-D-28	28C (1")	105	45	82
SEBP-FV-D-36	36C (1-1/4")	126	56	102
SEBP-FV-D-42	42C (1-1/2")	143	62	115
SEBP-FV-D-54	54C (2")	161	76	135
SEBP-FV-D-70	70C (2-1/2")	185	93	153
SEBP-FV-D-82	82C (3")	205	108	185
SEBP-FV-D-104	104C (4")	231	135	207

FH Data

Catalog No.	Thread Size	Dimensions		
		Length (A)	Width (B)	Depth (C)
SEBP-FH-16	16C (1/2")	82	32	60
SEBP-FH-22	22C (3/4")	98	38	70
SEBP-FH-28	28C (1")	105	45	82
SEBP-FH-36	36C (1-1/4")	126	56	102
SEBP-FH-42	42C (1-1/2")	143	62	115
SEBP-FH-54	54C (2")	161	76	135
SEBP-FH-70	70C (2-1/2")	185	93	153
SEBP-FH-82	82C (3")	205	108	185
SEBP-FH-104	104C (4")	231	135	207