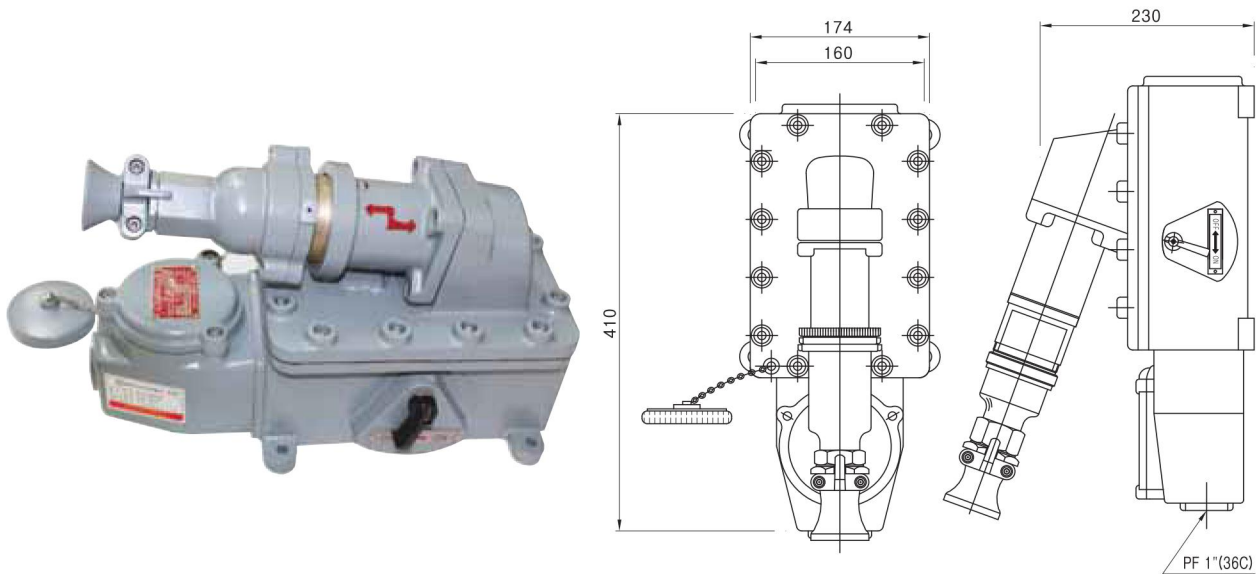


Plug & Receptacle

FPR60 SERIES

Type of Explosion-Proof
Flameproof (Ex d IIB+H2 T6 IP55)



Standard Materials

- Body : Cast aluminium alloy
- Cover : Cast aluminium alloy
- Terminal Box : Cast aluminium alloy
- Plug casing : Cast aluminium alloy

Compliance & Certification

- IEC 60079-0,1
- Notification of Ministry of Labor No.2010-36
- IP 55
- KGS
(Korea Gas Safety Corporation)

Standard Finish

- MUNSELL No. 7.5BG 6/1.5
- If you want another color, contact us please.

Technical Data

Catalog No.	FPR-30	FPR-60
Rated Voltage (V)	250	250
Rated Ampere (A)	30	60
Weight (kg)	11.5	11.5