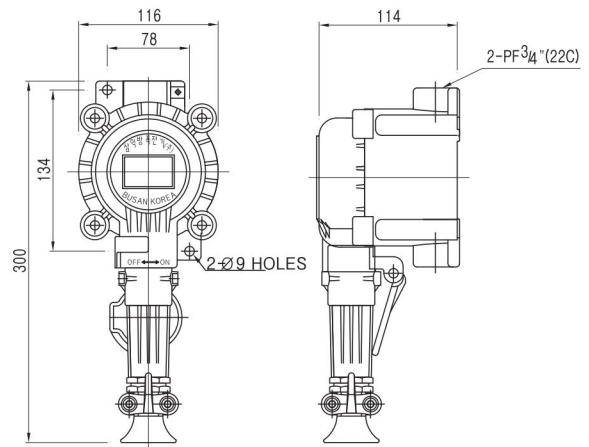


Plug & Receptacle

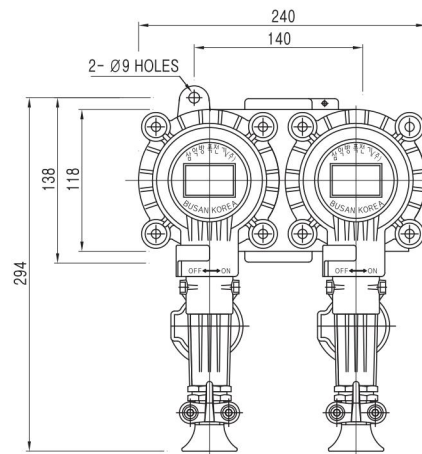
# FPR20 SERIES

Type of Explosion-Proof  
Flameproof (Ex d IIB+H2 T6 IP55)

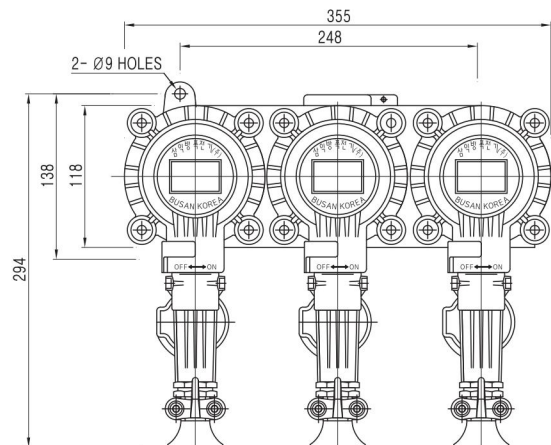
**FPR20-1GANG**



**FPR20-2GANG**



**FPR20-3GANG**



### Standard Materials

- **Body** : Die casting aluminium alloy
- **Cover** : Die casting aluminium alloy
- **Plug casing** : Die casting aluminium alloy

### Standard Finish

- MUNSSELL No. 7.5BG 6/1.5
- If you want another color, contact us please.

### Compliance & Certification

- IEC 60079-0,1
- Notification of Ministry of Labor No.2010-36
- IP 55
- KGS  
(Korea Gas Safety Corporation)

### Technical Data

Catalog No.	FPR20-1	FPR20-2	FPR20-3
Rated Voltage (V)	250	250	250
Rated Ampere (A)	20	20	20
Weight (kg)	2.1	4.7	7.1