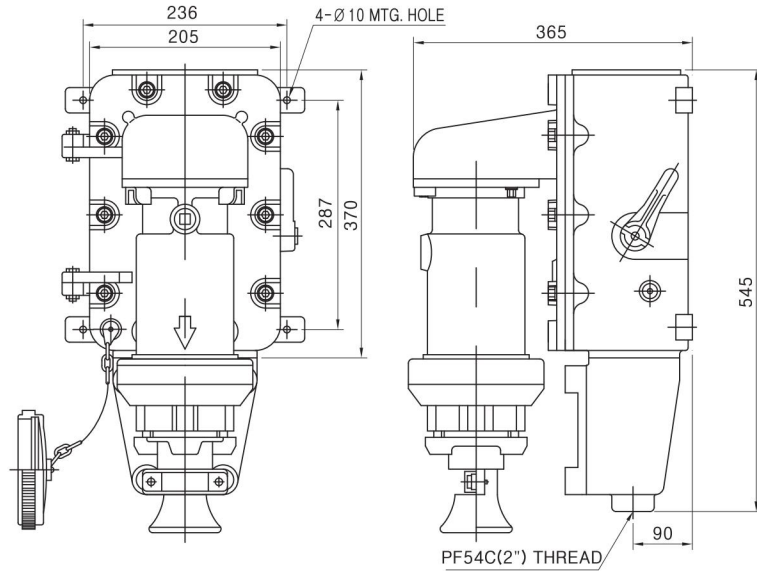


Plug & Receptacle

FPR100 SERIES

Type of Explosion-Proof
Flameproof (Ex d IIB+H2 T6 IP55)



Standard Materials

- Body : Cast aluminium alloy
- Cover : Cast aluminium alloy
- Terminal Box : Cast aluminium alloy
- Plug casing : Cast aluminium alloy

Compliance & Certification

- IEC 60079-0,1
- Notification of Ministry of Labor No.2010-36
- IP 55
- KGS
(Korea Gas Safety Corporation)

Standard Finish

- MUNSELL No. 7.5BG 6/1.5
- If you want another color, contact us please.

Technical Data

Catalog No.	FPR-60	FPR-75	FPR-100
Rated Voltage (V)	250	250	250
Rated Ampere (A)	60	75	100
Weight (kg)	27.5	27.5	27.5