

Separated Ballast Type Induction Lighting Fixtures

FAM SERIES

Type of Explosion-proof
Flameproof (Ex d IIB+H2 T5)
Dust-ignition proof (Ex tD A21 T100°C IP65)



Standard Materials

- Enclosure : Die casting aluminium alloy
- Mounting Box : Die casting aluminium alloy
- Ballast Box : Die casting aluminium alloy
- Globe : Heat resistant hard glass
- Inner Reflector : High purity aluminium
- Guard : Stainless steel

Standard Finish

- MUNSELL No. 7.5BG 6/1.5
- If you want another color, contact us please.

Compliance & Certification

- IEC 60079-0,1
- Notification of Ministry of Labor No. 2010-36
- Certified by KGS (Korea Gas Safety Corporation)

Application

FAM Series lighting fixture are used

- In heavy process industries having environments where flammable or explosive vapors or gases, or where combustible dusts are present.
- In paint spray booth suitability provides efficient, economical HID lighting for paint spray areas.
- In hazardous areas, both indoors and outdoors where long life and low maintenance costs are desired.
- In hazardous locations requiring elevated ambient capability.
- In marine applications where water spray and corrosive atmospheres are considerations.

Features

- Lighting unit and ballast are constructed separately so as to protect the ballast from the heat of the lamp.
- Base of the body and the top of the globe holder have accurate tapered cylindrical surfaces and are secured by four socket head captive screw.
- Lighting unit is screwed onto the top of the mounting box and the ballast to the side.
- Pendant mounting module equipped with integral hub set screws for vibration resistance.
- Globe assembly is securely hinged to the body.
 - Easy installation and maintenance.
- Hinged assembly allows the fixture to hang free during installation to permit the use of both hands when wiring.

Technical Data

Electrical Ratings	
Rated Voltage	AC110V/220V/240V (*See Below)
Rated Wattage	55W/60W/70W/80W/85W/100W 120W/135W/150W/165W
Rated Frequency	50Hz/60Hz
Entry Size	1/2", 3/4", 1"

Weight

Mounting Type	Catalog No.	Weight
Ceiling Type	SEBP-FAMMX1001	14.0kg

Ordering Number

LAMP	Watt	Ceiling	Pendant	40° Bracket	90° Bracket
Induction Lamp	55	SEBP-FAMMX-551	SEBP-FAMX-552	SEBP-FAMMX-553	SEBP-FAMMX-554
	60	SEBP-FAMMX-601	SEBP-FAMX-602	SEBP-FAMMX-603	SEBP-FAMMX-604
	70	SEBP-FAMMX-701	SEBP-FAMX-702	SEBP-FAMMX-703	SEBP-FAMMX-704
	80	SEBP-FAMMX-801	SEBP-FAMMX-802	SEBP-FAMMX-803	SEBP-FAMMX-804
	85	SEBP-FAMMX-851	SEBP-FAMMX-852	SEBP-FAMMX-853	SEBP-FAMMX-854
	100	SEBP-FAMMX-1001	SEBP-FAMMX-1002	SEBP-FMAMX-1003	SEBP-FAMMX-1004
	120	SEBP-FAMMX-1201	SEBP-FAMMX-1202	SEBP-FAMMX-1203	SEBP-FAMMX-1204
	135	SEBP-FAMMX-1351	SEBP-FAMMX-1352	SEBP-FAMMX-1353	SEBP-FAMMX-1354
	150	SEBP-FAMMX-1501	SEBP-FAMMX-1502	SEBP-FAMMX-1503	SEBP-FAMMX-1504
	165	SEBP-FAMMX-1651	SEBP-FAMMX-1652	SEBP-FAMMX-1653	SEBP-FAMMX-1654

Ordering Information

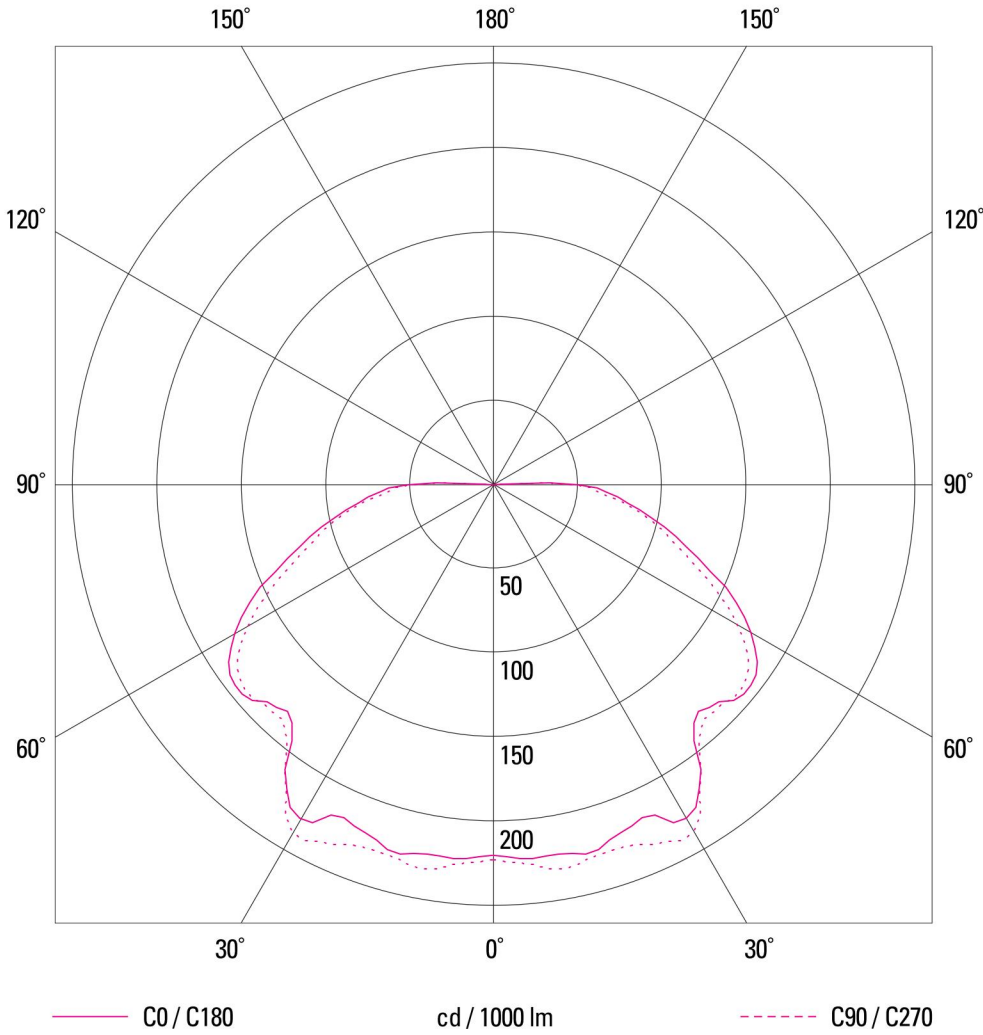
SEBP - FAM - MX - 100 - 1



* Entry Size : 1/2" / 3/4" / 1"

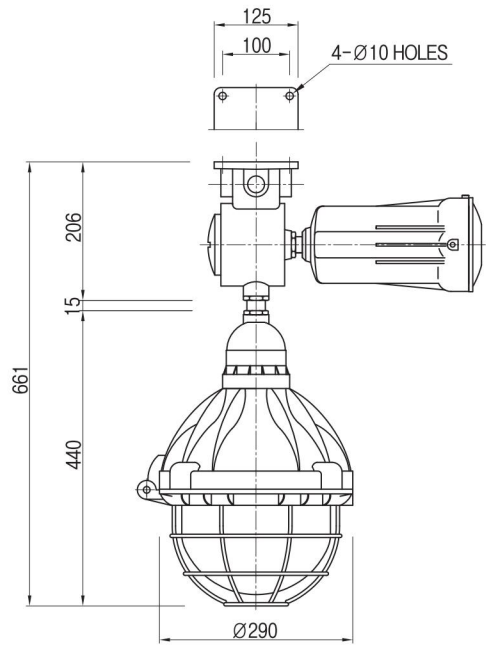
Photometric Data

SEBP-FAM-MX-150W

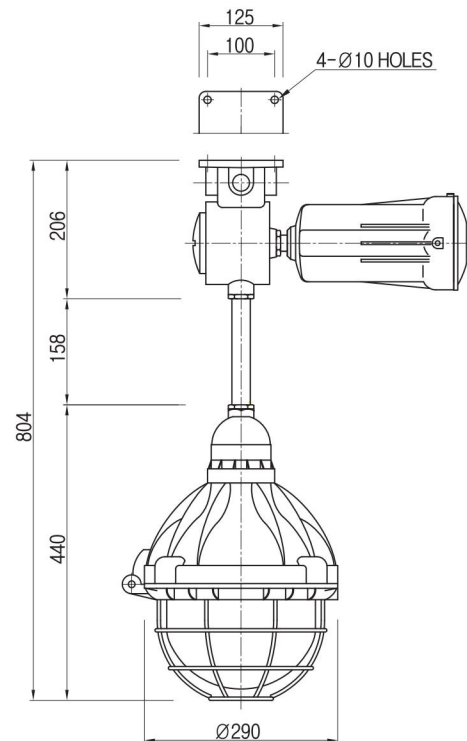


	C0	C90	C180
0°	220	223	232
5°	223	226	238
10°	223	232	244
15°	226	229	241
20°	220	229	232
25°	217	235	235
30°	229	238	244
35°	214	214	214
40°	185	191	191
45°	185	188	197
50°	194	191	202
55°	191	185	194
60°	176	167	173
65°	156	144	153
70°	129	120	129
75°	109	103	109
80°	88	85	88
85°	70	65	68
90°	50	47	50
	cd / 1000 lm		

Dimension

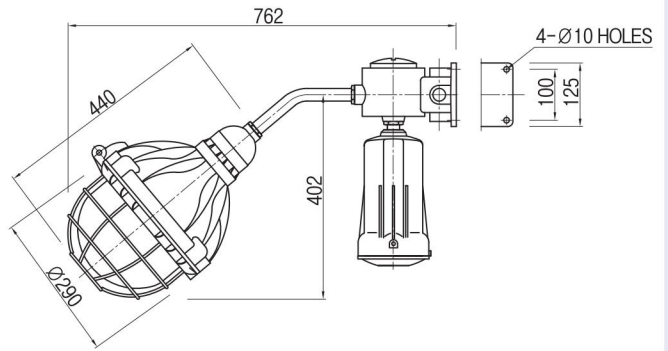


Ceiling Type

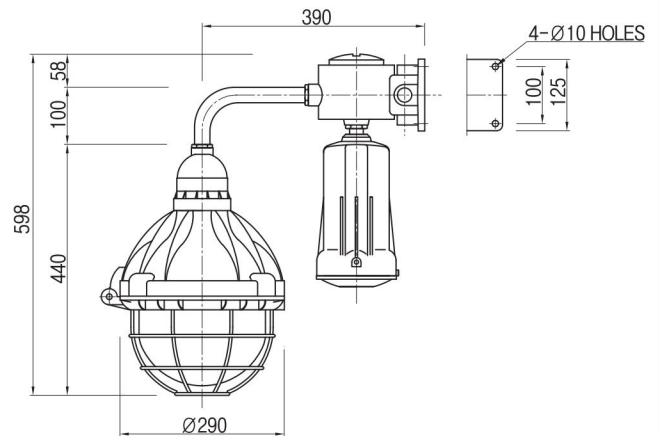


Pendant Type

Dimension



40° Bracket Type



90° Bracket Type