

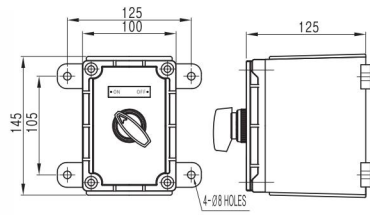
Tumbler Switch

ETS SERIES

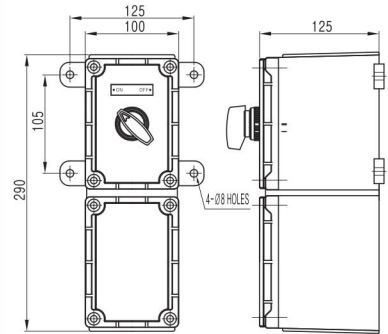
Type of Explosion-Proof
Flameproof (Ex d IIB+H2 T6)



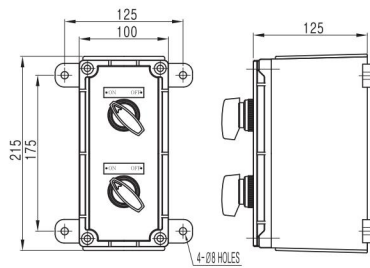
ETS-1



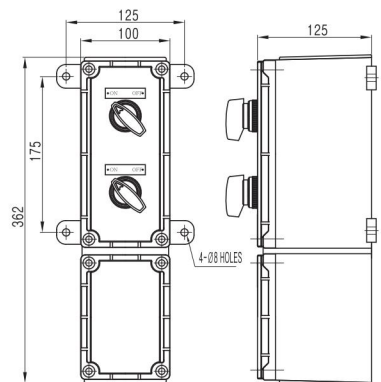
ETS-1-TB



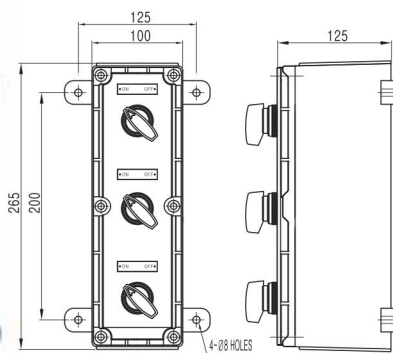
ETS-2



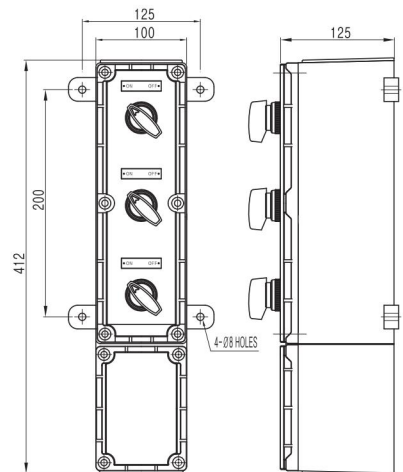
ETS-2-TB

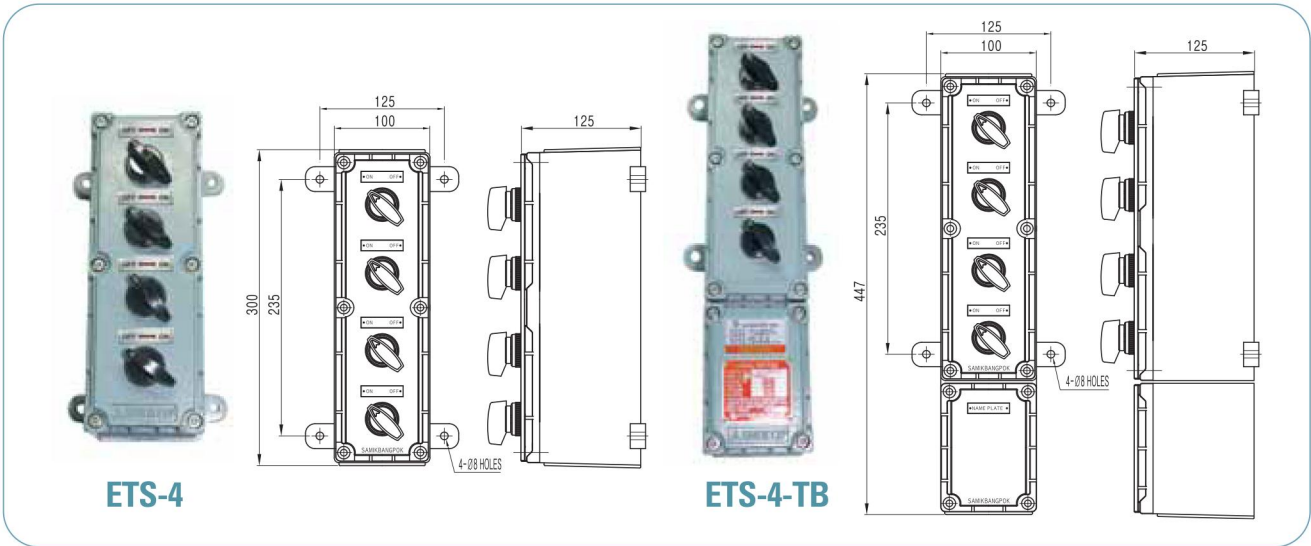


ETS-3



ETS-3-TB





ETS-4

ETS-4-TB

Application

- Hazardous locations due to the presence of flammable gases or vapors, combustible dusts or easily ignitable fiber of flyings.
- Installations at petroleum refineries, chemical and petrochemical plants and other processing or storage facilities where similar hazards exist
- Rotary handle operator mounted on cover assembly provides clear indication of on, off and trip positions

Standard Finish

- MUNSELL No. 7.5BG 6/1.5
- If you want another color, contact us please.

Standard Materials

- **Body** : Cast aluminium alloy
- **Cover** : Cast aluminium alloy
- **Terminal Box** : Cast aluminium alloy
- **Bolt & Washer** : Stainless steel

Compliance & Certification

- IEC 60079-0,1
- Notification of Ministry of Labor No.2010-36
- Certified by KOSHA (Korea Occupational Safety & Health Agency), KGS (Korea Gas Safety Corporation), and the others.