

Motor Starter Panel Board

EMSP SERIES

Type of Explosion-Proof
Flameproof (Ex d IIB+H2 T6)



Standard Materials

- Body : Cast aluminium alloy
- Cover : Cast aluminium alloy
- Bolt & Washer : Stainless Steel
- Hinge : Stainless Steel
- Handle : Stainless Steel

Standard Finish

- MUNSSELL No. 7.5BG 6/1.5
- If you want another color, contact us please.

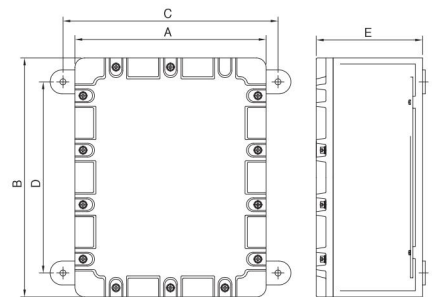
Compliance & Certification

- IEC 60079-0,1
- Notification of Ministry of Labor No. 2010-36
- Certified by KGS (Korea Gas Safety Corporation), and the others.

Technical Data

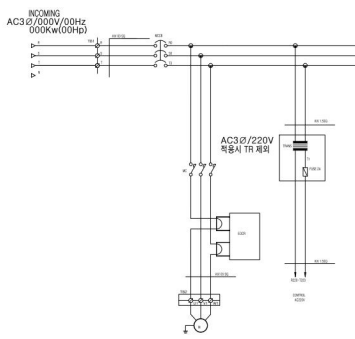
Rated Capacity (KW)	Dimensions(mm)				
	A	B	C	D	E
0.05~7.5	250	370	200	290	320
7.5~15	400	600	250	450	490
16~35	600	700	280	640	540
36~55	700	800	285	800	700
56~75	600	1000	250	690	820
79~95	800	1000	380	880	880
79~95	900	1100	350	980	1000

Dimension

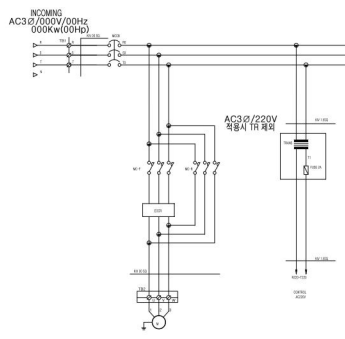


STANDARD PANEL BOARD WIRING DIAGRAM

(A) Line Starting System



(B) Reversible Starting System



(C) Star-Delta Starting System

