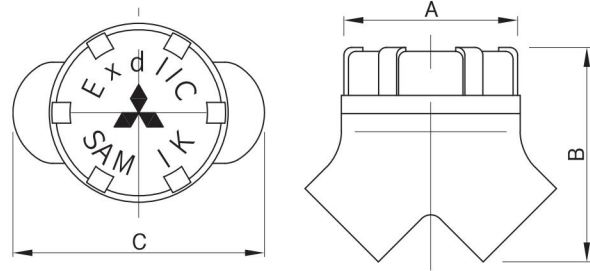


Flame-Proof Elbow

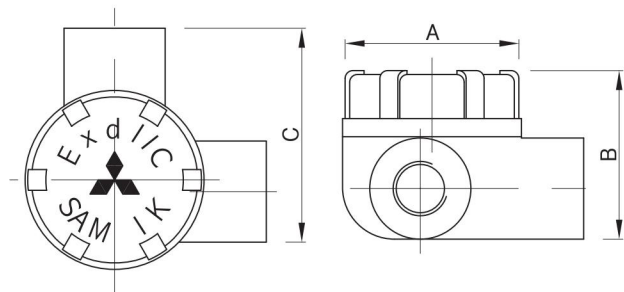
# DX SERIES

Type of Explosion-Proof  
Flameproof (Ex d IIC)

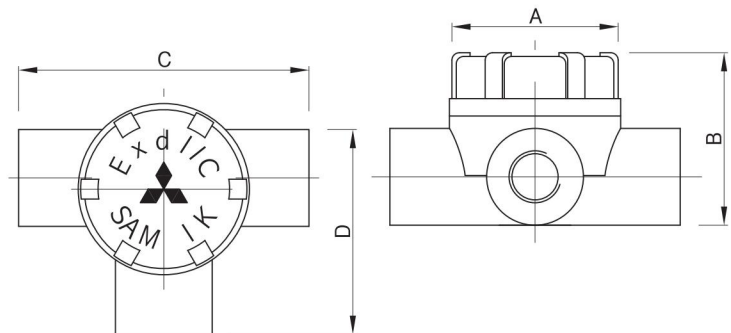
## DXB



## DXL



## DXT



### Standard Materials

- Body : Cast iron or Die casting aluminium alloy
- Cast iron or Die casting aluminium alloy
- O-ring : Silicone Rubber

### Standard Finish

- Hot Dip. Galvanized with stove enamelled silver white

### Compliance & Certification

- Notification of Ministry of Labor No. 2010-36
- Certified by KOSHA  
(Korea Occupational Safety & Health Agency)

### DXB Data

Catalog No.	Thread Size	Dimensions		
		A	B	C
SEBP-DXB-16	16C (1/2")	65	63	90
SEBP-DXB-22	22C (3/4")	65	73	100
SEBP-DXB-28	28C (1")	65	86	114
SEBP-DXB-36	36C (1-1/4")	85	102	133
SEBP-DXB-42	42C (1-1/2")	85	114	148
SEBP-DXB-54	54C (2")	102	130	165
SEBP-DXB-70	70C (2-1/2")	138	155	218
SEBP-DXB-82	82C (3")	138	175	237

### DXL Data

Catalog No.	Thread Size	Dimensions		
		A	B	C
SEBP-DXL-16	16C (1/2")	65	56	80
SEBP-DXL-22	22C (3/4")	65	62	82
SEBP-DXL-28	28C (1")	65	70	84
SEBP-DXL-36	36C (1-1/4")	85	88	105
SEBP-DXL-42	42C (1-1/2")	85	95	113
SEBP-DXL-54	54C (2")	102	114	130
SEBP-DXL-70	70C (2-1/2")	138	134	166
SEBP-DXL-82	82C (3")	138	147	180

### DXT Data

Catalog No.	Thread Size	Dimensions			
		A	B	C	D
SEBP-DXT-16	16C (1/2")	65	56	95	80
SEBP-DXT-22	22C (3/4")	65	62	97	82
SEBP-DXT-28	28C (1")	65	70	103	84
SEBP-DXT-36	36C (1-1/4")	85	88	125	105
SEBP-DXT-42	42C (1-1/2")	85	95	142	113
SEBP-DXT-54	54C (2")	102	114	158	130
SEBP-DXT-70	70C (2-1/2")	138	134	216	166
SEBP-DXT-82	82C (3")	138	147	240	180