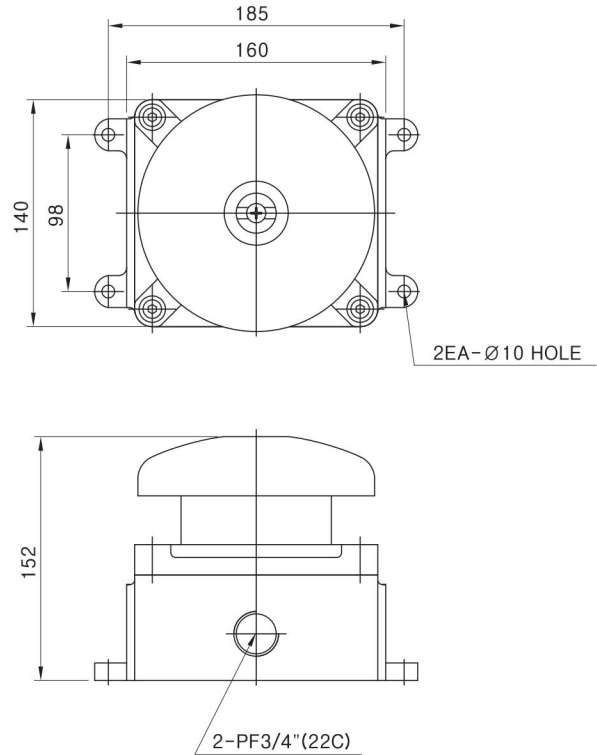


Bell Signal

AFS SERIES

Type of Explosion-Proof
Flameproof (Ex d IIB+H2 T6)



Standard Materials

- Body : Cast aluminium alloy
- Cover : Cast aluminium alloy
- Bolt & Washer : Stainless Steel

Technical Data

- Rated Voltage : AC 110V,220V / DC12V,24V
- Output Power : Max.25W
- Volume : Max.115dB/m

Standard Finish

- MUNSSELL No. 7.5R 3/12
- If you want another color, contact us please.

Compliance & Certification

- IEC 60079-0,1
- Notification of Ministry of Labor No.2010-36
- Certified by KOSHA
(Korea Occupational Safety & Health Agency)