

# FAS SERIES



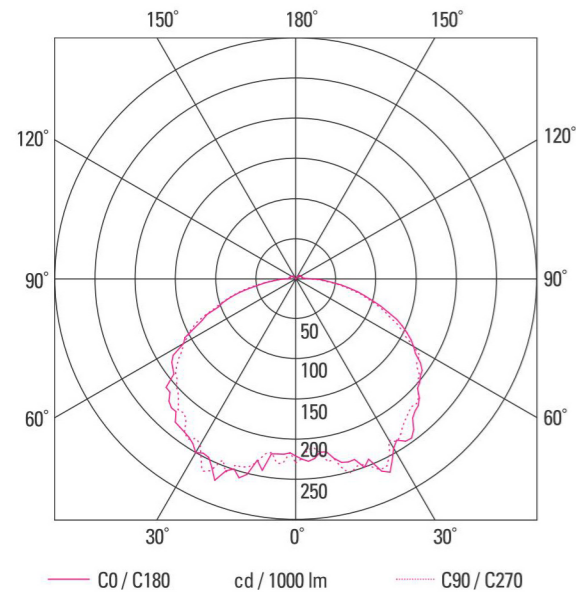
**Application sectors**

- Oil refineries
- Chemical and petrochemical plants
- Onshore plants
- Offshore plants
- Low temperatures
- Fuel depots
- Fuel tanker loading/unloading areas

## Technical Data

구분		SEBP-FASLED-10	SEBP-FASLED-20	SEBP-FASLED-30	SEBP-FASLED-40
전기 사양	소비전력 (W)	10W	20W	30W	40W
	정격전압 (V)	220V	220V	220V	220V
	역률 (%)	95이상	95이상	95이상	95이상
	전원효율 (%)	85이상	85이상	85이상	85이상
광사양	전광속 (lm)	1,000	2,000	3,000	4,000
	연색성 (CRI)	75이상			
	광효율 (lm/W)	100이상			
	색온도 (K)	2700K~6800K			
수명 (시간)		30,000이상			
사용주위온도(°C)		-20°C ~ +40°C			
용량 · 등급		Ex d IIB+H <sub>2</sub> T6 IP65 / Ex tD A21 IP65 T85°C			

## Photometric Data



## Description

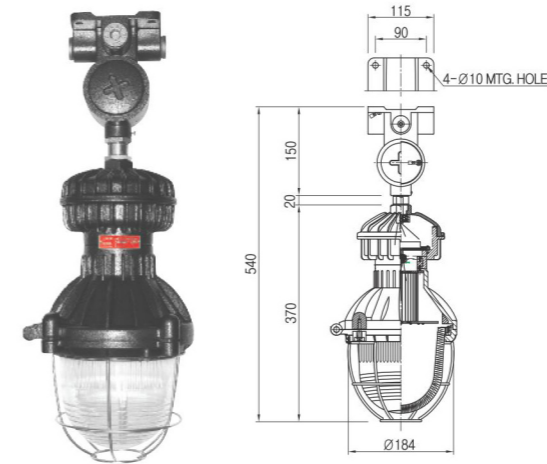
- Body : Die-casting aluminium
- Cover : Die-casting aluminium
- Smps Box : Die-casting aluminium
- Globe : Tempered glass
- Mounting Box : Die-casting aluminium
- Gasket : Silicone gasket
- Bolts and screws : Stainless steel
- Coating : Epoxy coating
- Entries : PF3/4" threads

## Compliance

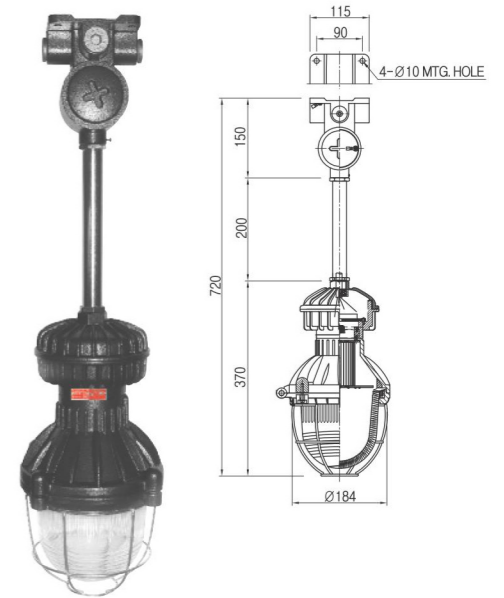
Notification of Ministry of Labor No.2013-54

## Dimension

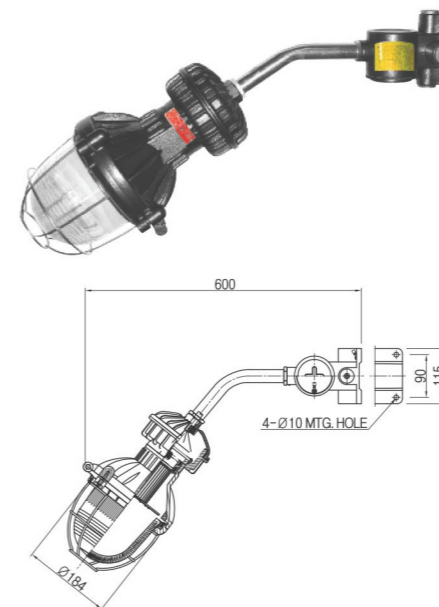
### Ceiling Type



### Pendant Type



### 40° Bracket Type



### 90° Bracket Type

