

# NPL SERIES



NPL-S

NPL-M

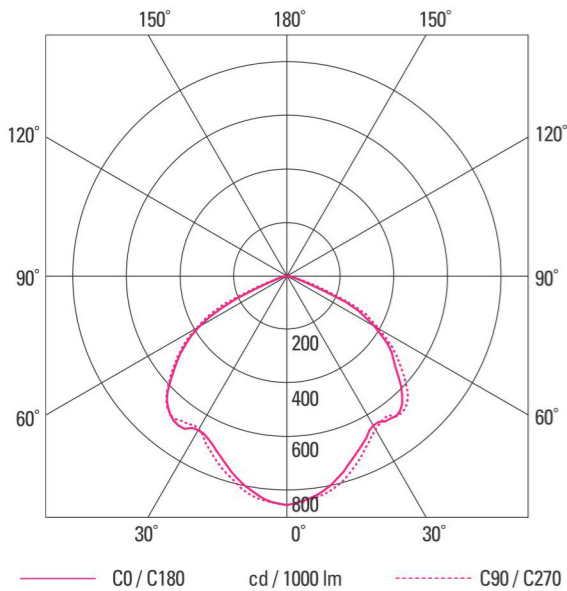
**Application sectors**

- Oil refineries
- Chemical and petrochemical plants
- Onshore plants
- Offshore plants
- Low temperatures
- Fuel depots
- Fuel tanker loading/unloading areas

## Technical Data

구분	SEBP-NPL-S-20	SEBP-NPL-S-40	SEBP-NPL-S-50	SEBP-NPL-M-60	SEBP-NPL-M-70	SEBP-NPL-M-80	
전기 사양	소비전력 (W)	20W	40W	50W	60W	70W	80W
	정격전압 (V)	220V	220V	220V	220V	220V	220V
	역율 (%)	95이상	95이상	95이상	95이상	95이상	95이상
	전원효율 (%)	85이상	85이상	85이상	85이상	85이상	85이상
광사양	전광속 (lm)	2,000	4,000	5,000	6,000	7,000	8,000
	연색성 (CRI)	75이상					
	광효율 (lm/W)	100이상					
	색온도 (K)	5700K~6500K					
수명 (시간)	30,000이상						
사용주위온도(°C)	-20°C ~ +40°C						
용량 · 등급	Ex nA II T6 IP65 / Ex tD A21 IP65 T85°C						

## Photometric Data



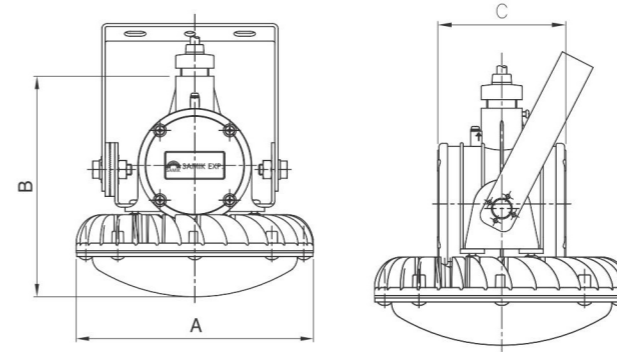
## Description

- Body : Die-casting aluminium
- Cover : Polycarbonate
- Guard : Stainless steel (Optional)
- Mounting Box : Die-casting aluminium
- Gasket : Silicone gasket
- Bolts and screws : Stainless steel
- Coating : Epoxy coating
- Entries : PF3/4" threads

## Compliance

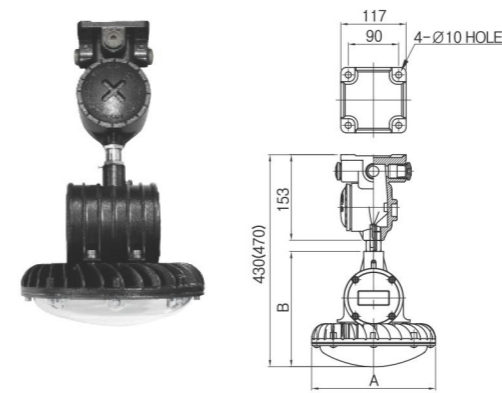
Notification of Ministry of Labor No.2013-54

## Dimension I

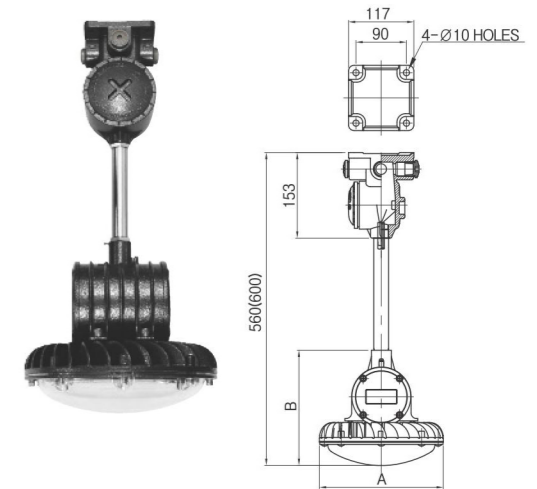


TYPE	A	B	C
SIE-NPL-S	ø 220	210	106
SIE-NPL-M	ø 280	250	135

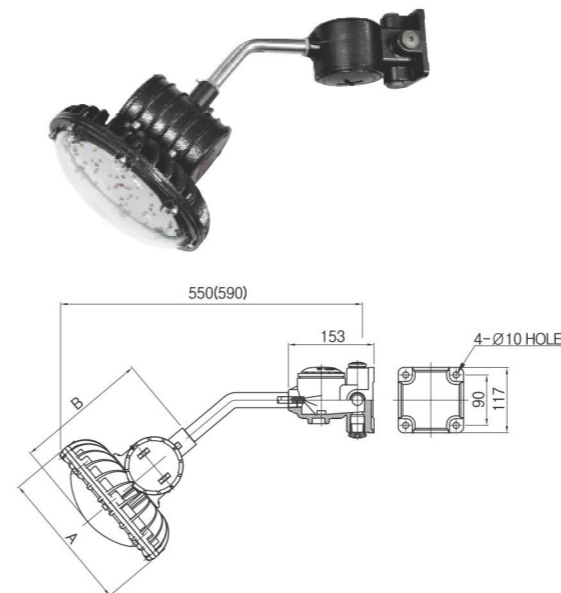
### Ceiling Type



### Pendant Type



### 40° Bracket Type



### 90° Bracket Type

